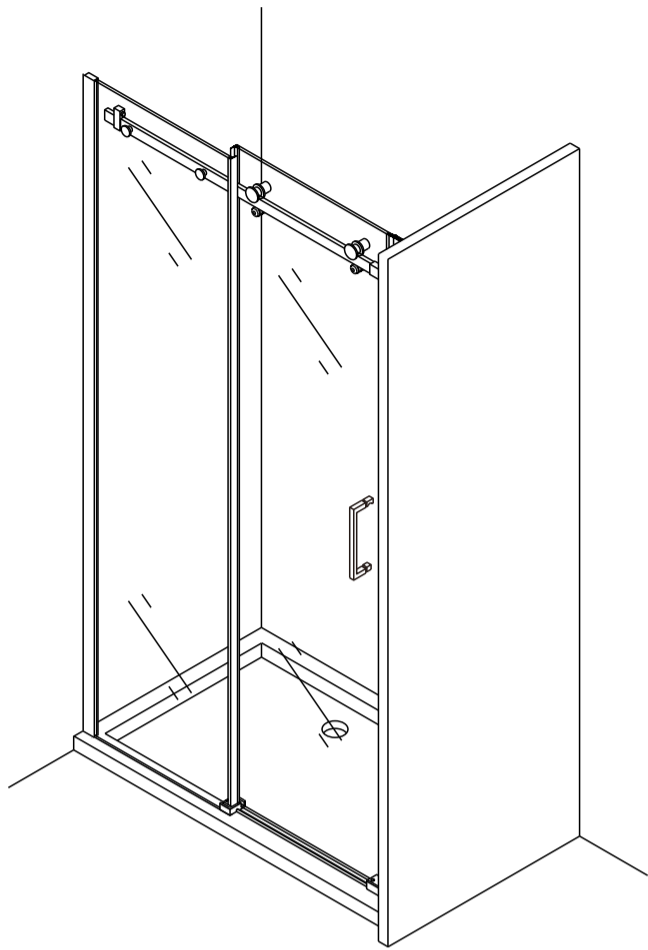
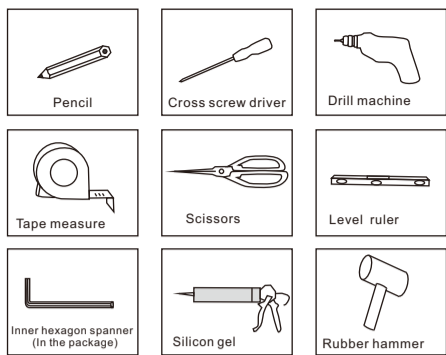


INSTALLATION MANUAL

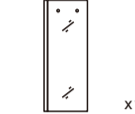
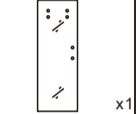
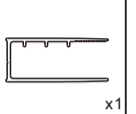
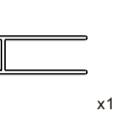
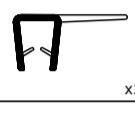
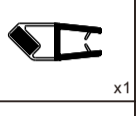
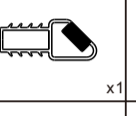
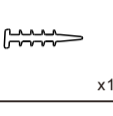
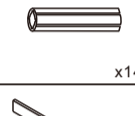
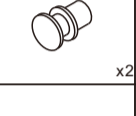

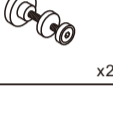
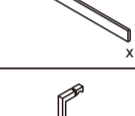
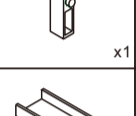
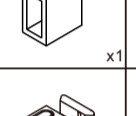
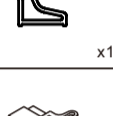
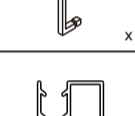
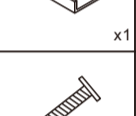
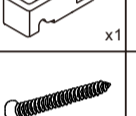
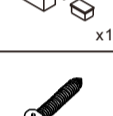
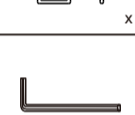
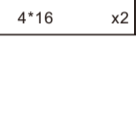
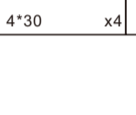
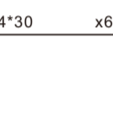
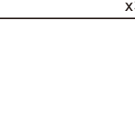


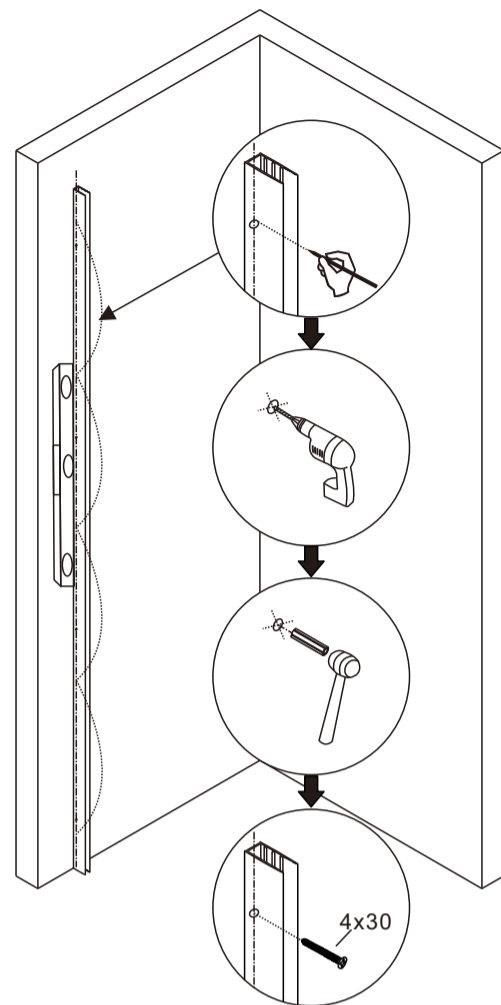
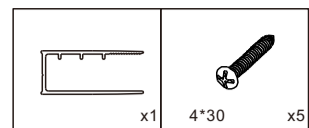
ATL-802F

TOOL PICTURE



Accessory list

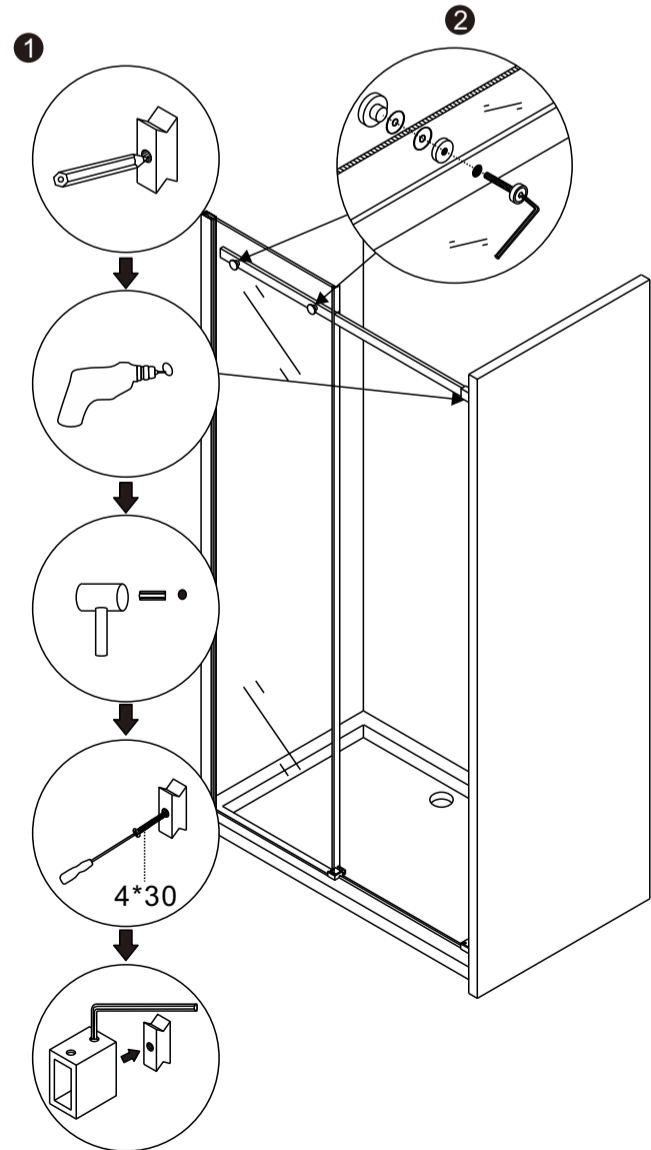
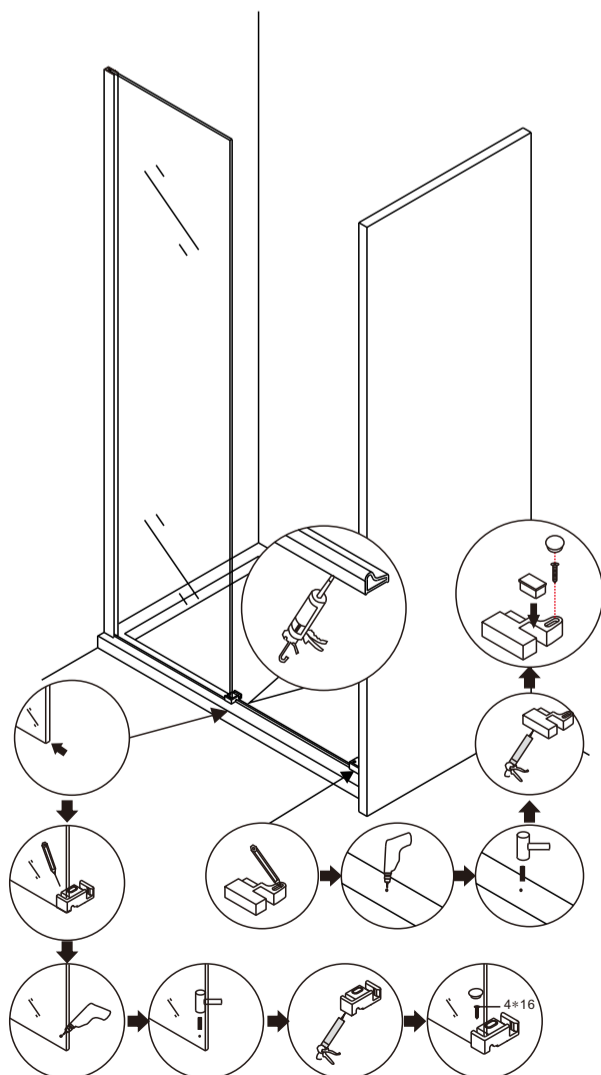
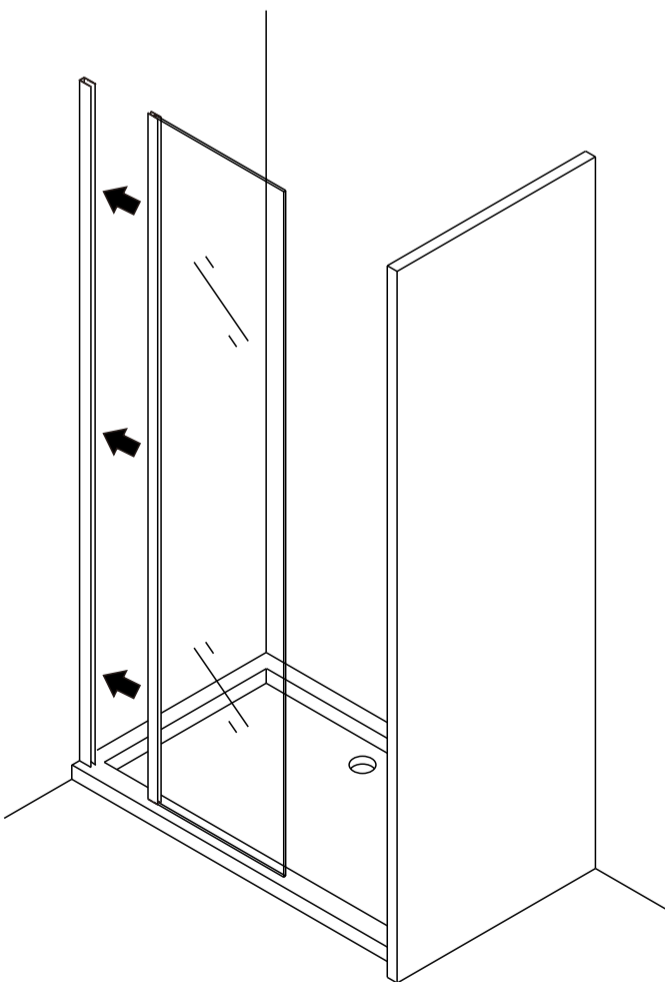
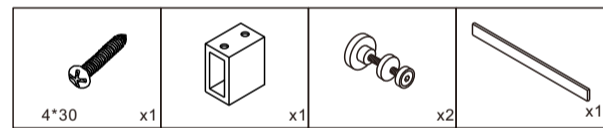
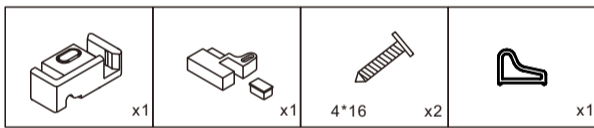
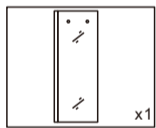
 x1	 x1	 x1	 x1
 x2	 x1	 x1	 x1
 x14	 x2	 x2	 x2
 x1	 x1	 x1	 x1
 x1	 x1	 x1	 x1
 x1	 4*16 x2	 4*30 x4	 4*30 x6
 x3			



1

2

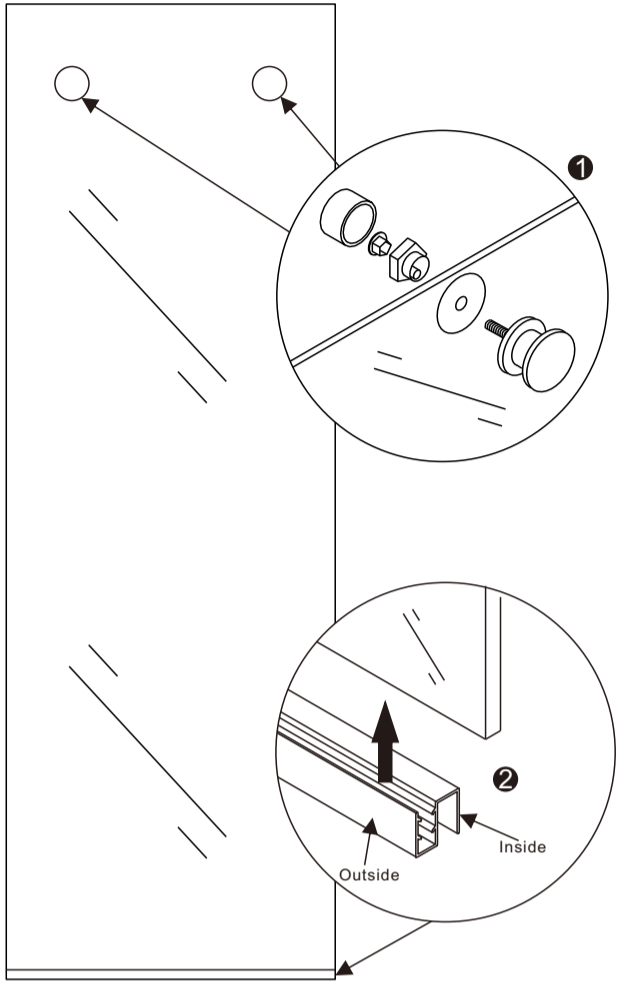
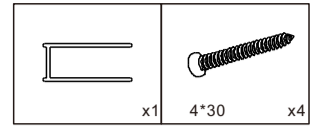
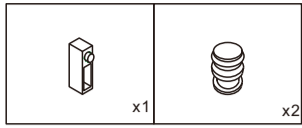
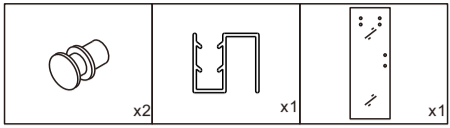
3



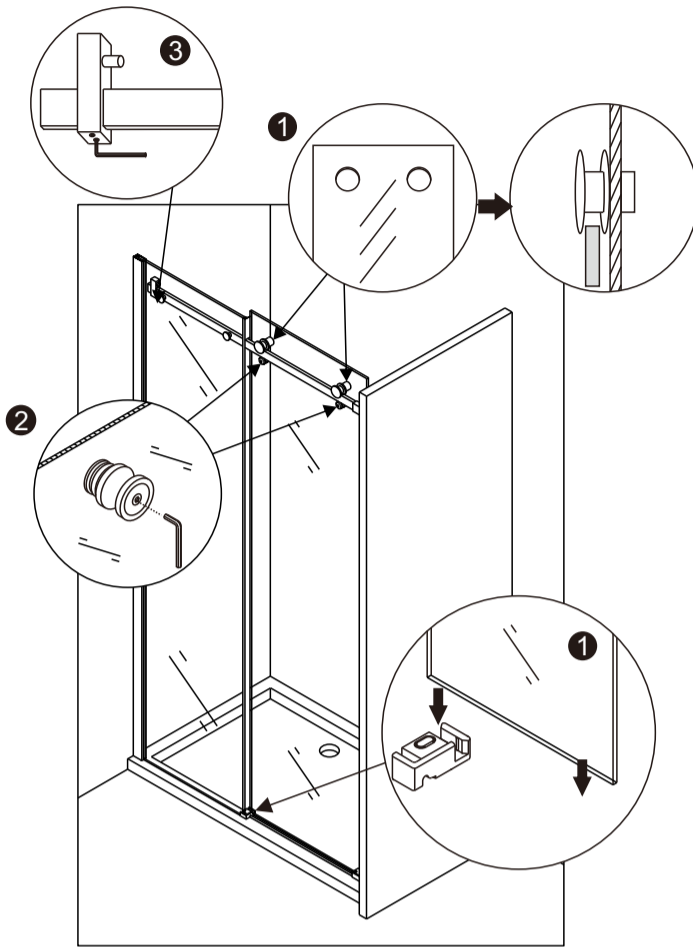
4

5

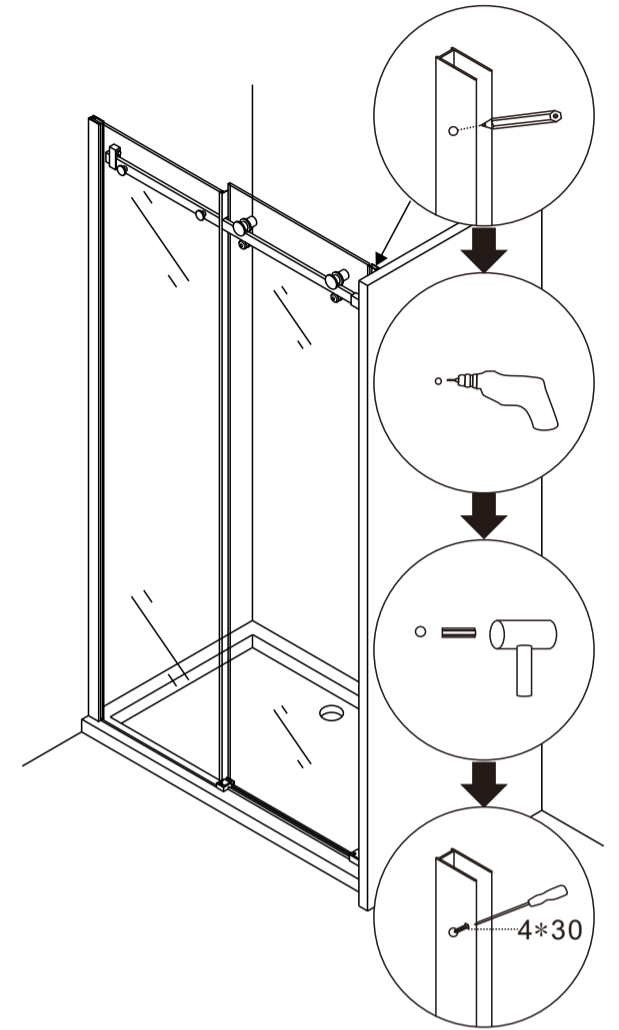
6



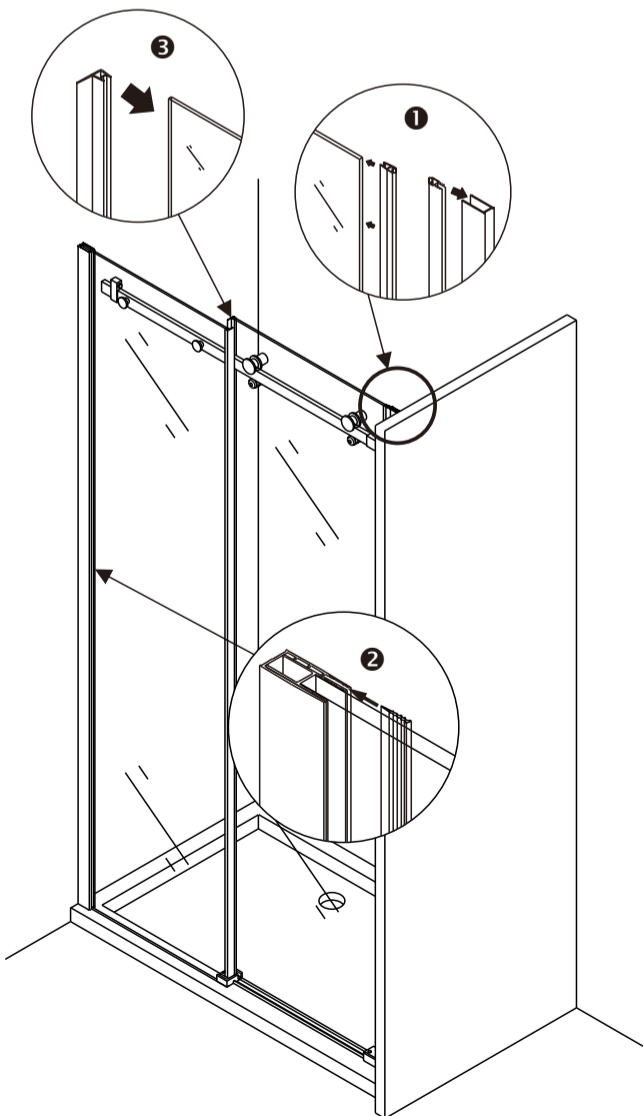
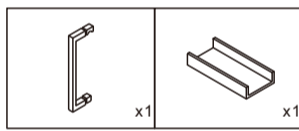
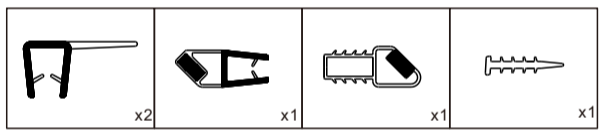
7



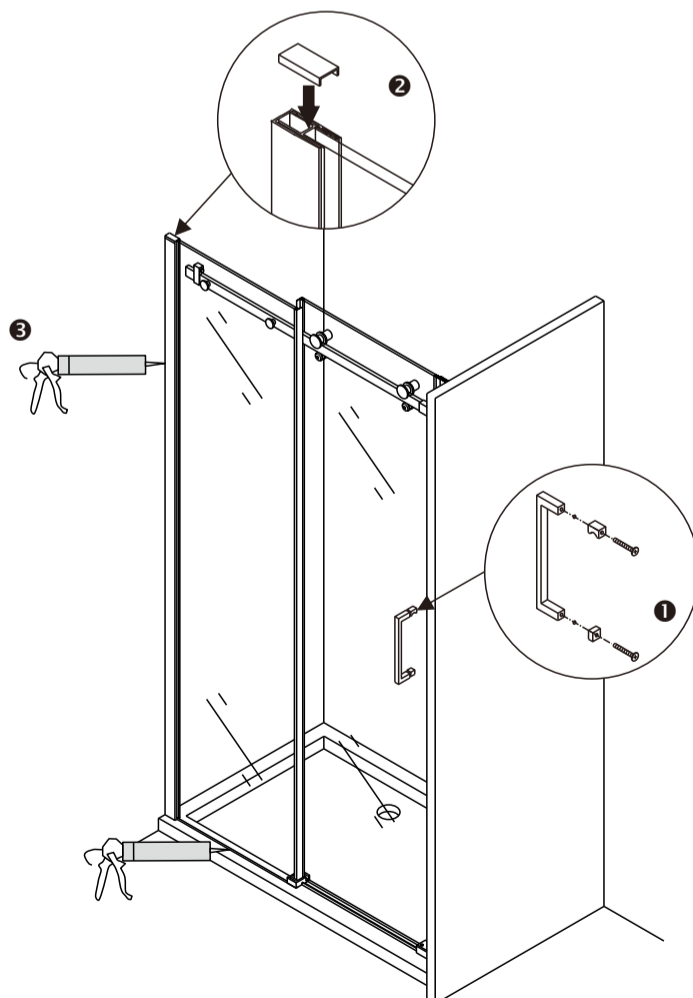
8



9



10



11

12