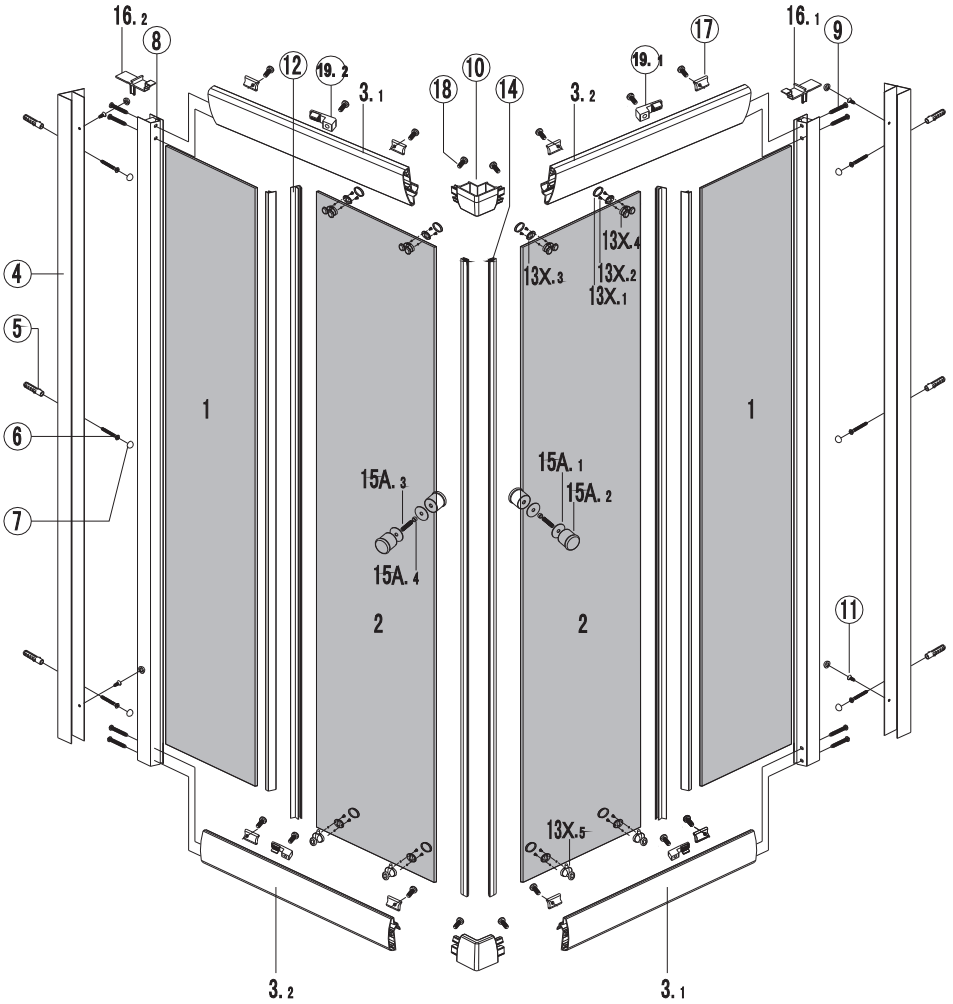
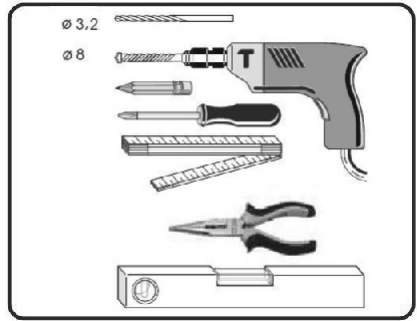
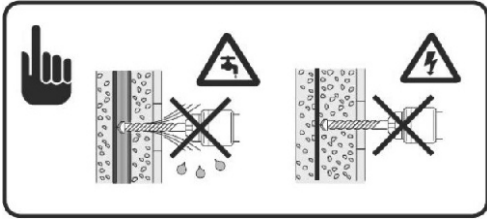
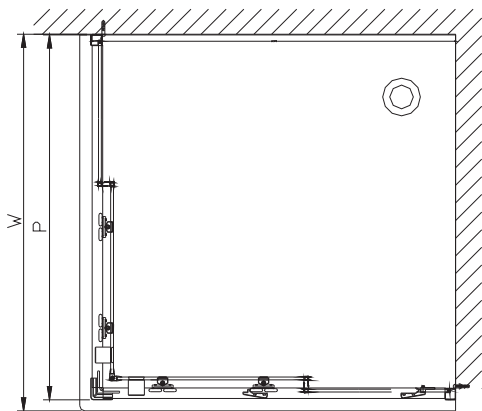
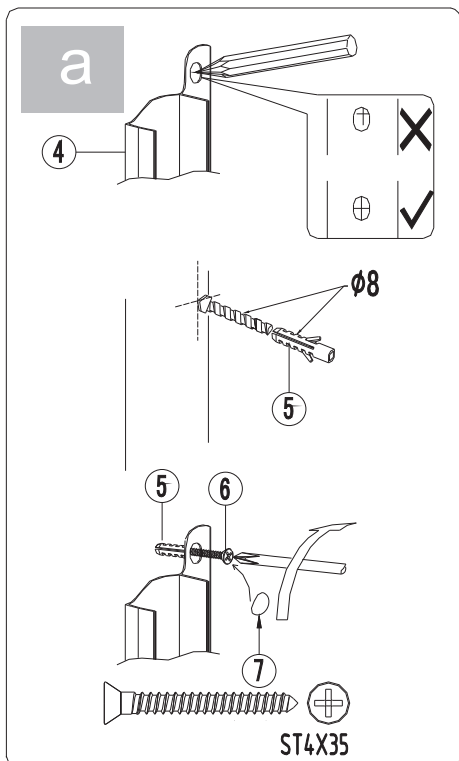
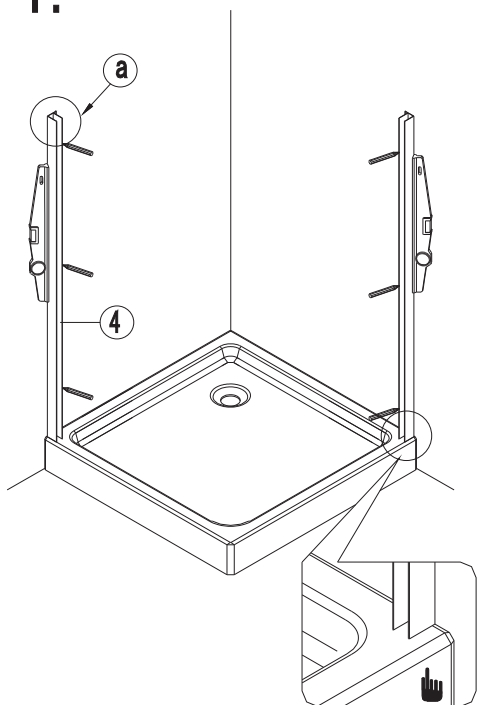


AZS100107-000/D



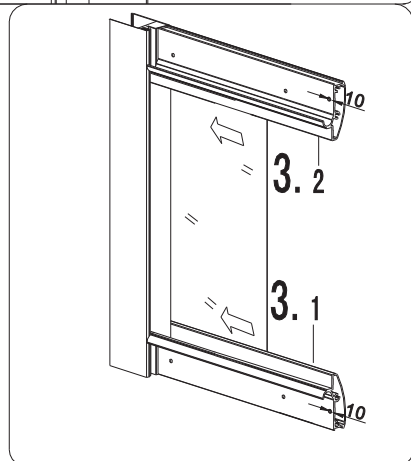
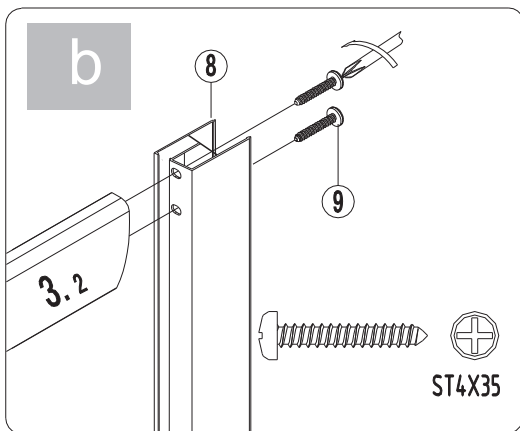
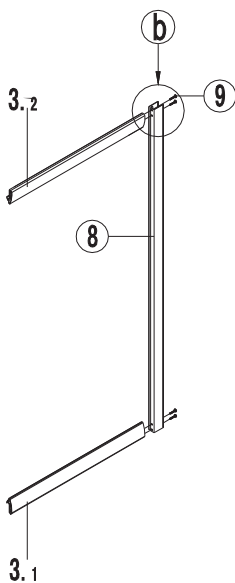
NO.	Designation	Pieces	NO.	Designation	Pieces
3.1 3.2 1 2		X2 X2 X2 X2	14		X2
3.2 3.1			A.1 A.2 A.3 A.4		X4 X4 X2 X2
4		X2	B.1 B.2		X2 X2
5		X7	C.1 C.2 C.3 C.4 C.5 C.6		X2 X4 X4 X8 X2 X2
6		X7	D.1 D.2 D.3 D.4 D.5 D.6		X4 X4 X2 X8 X4 X2
7		X15	16.1		X1
8		X2	16.2		X1
9		X9	17		X8
10		X2	18		X17
11		X5	19.1 19.2		X2 X2
12		X4			
X.1 X.2 X.3 X.4		X8 X16 X8 X4			
X.5		X4			
13					
Y.1 Y.2 Y.3 Y.4		X8 X8 X8 X4			
Y.5		X4			

1.

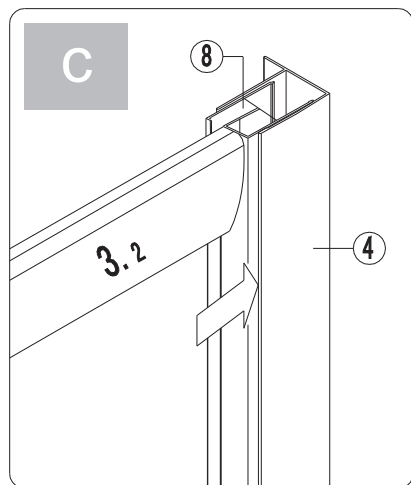
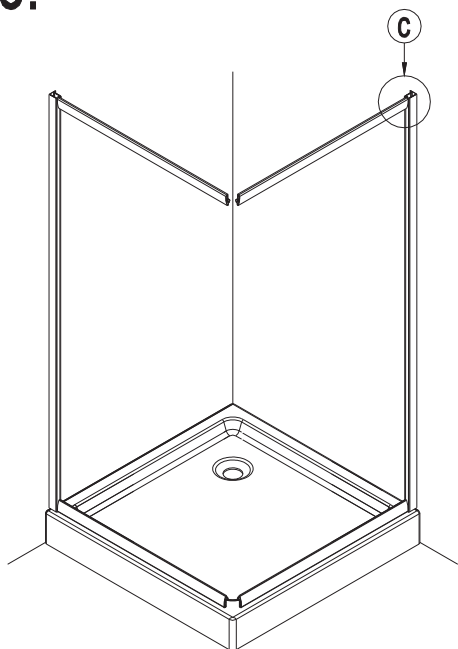


	P	W
765	765-790	800
865	865-890	900

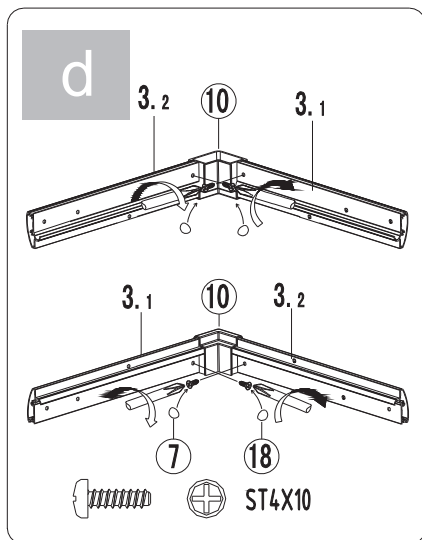
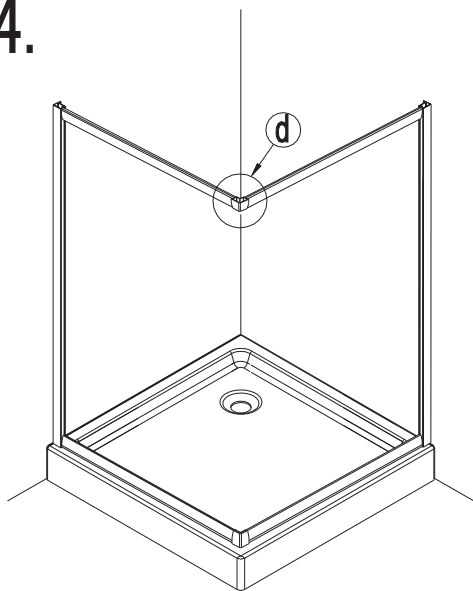
2.



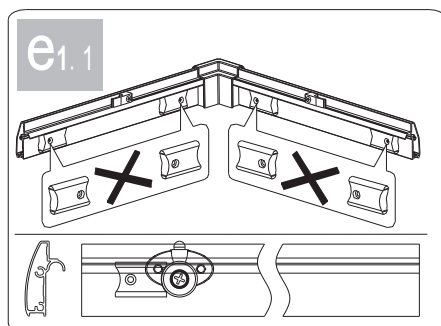
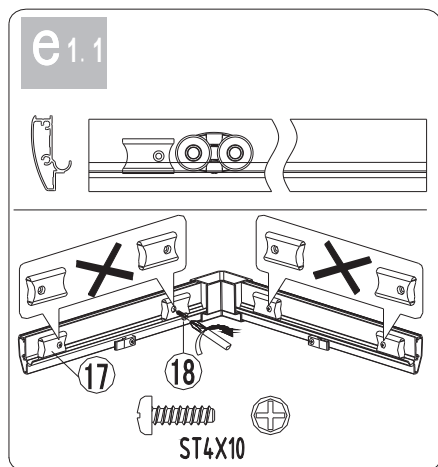
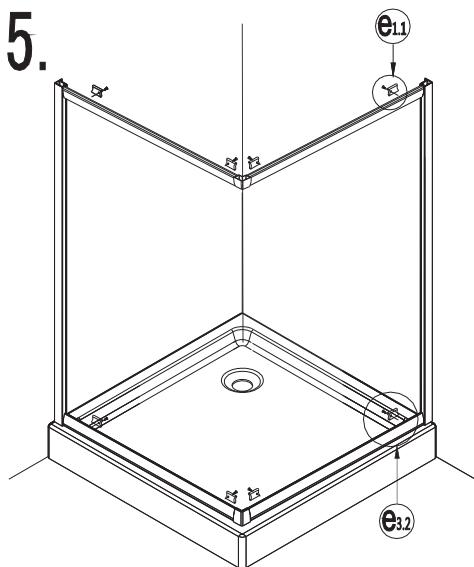
3.



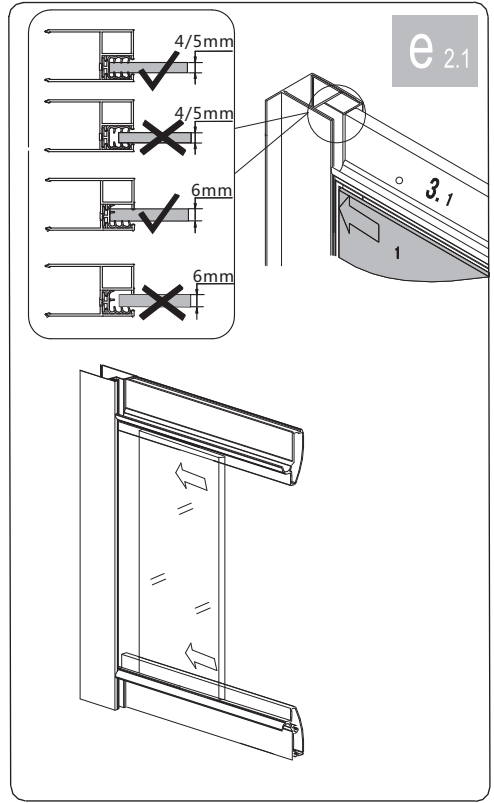
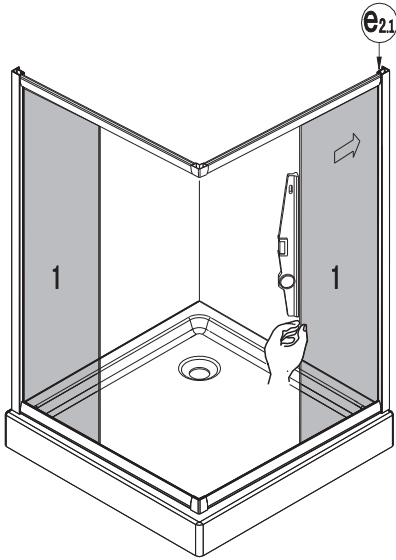
4.



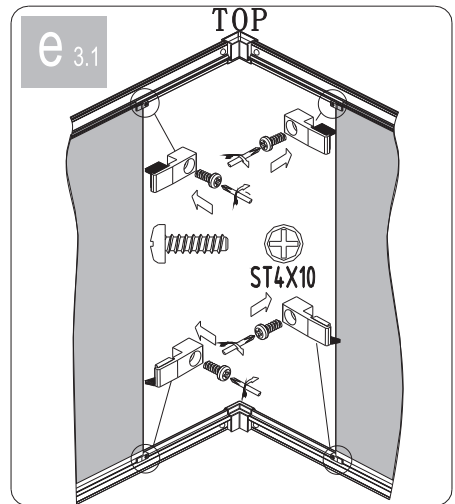
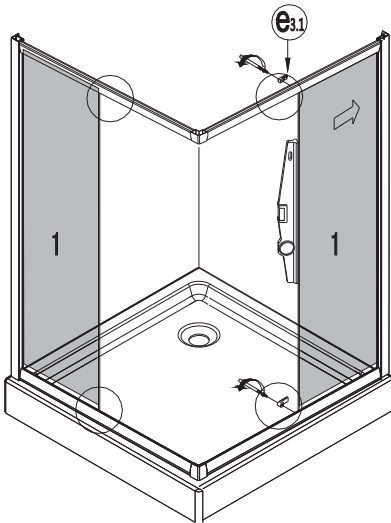
5.



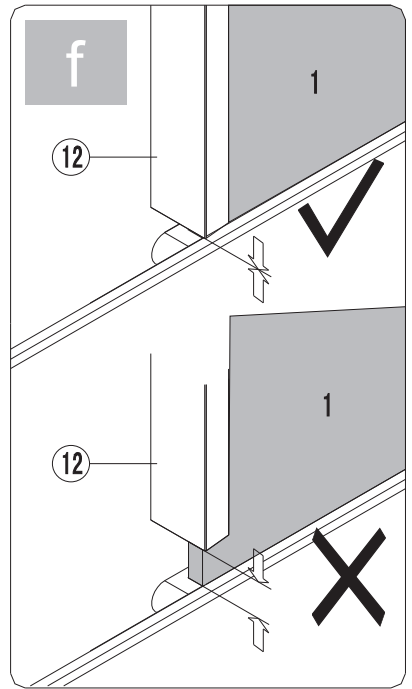
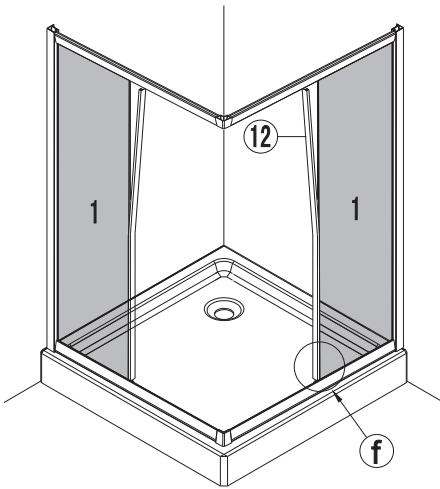
6.



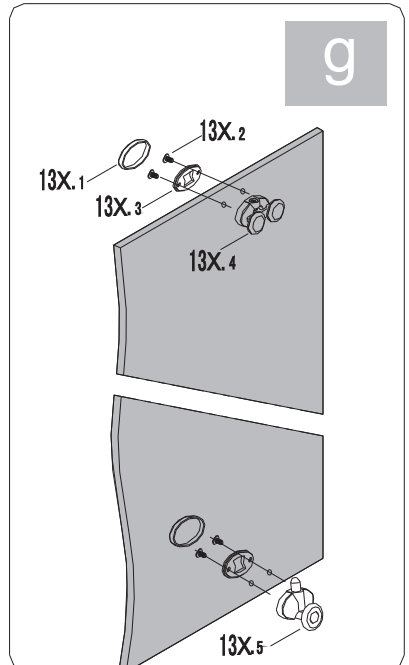
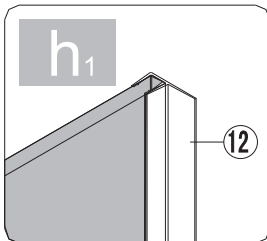
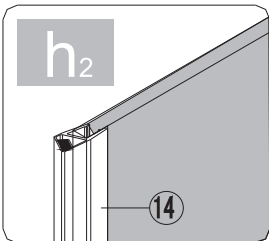
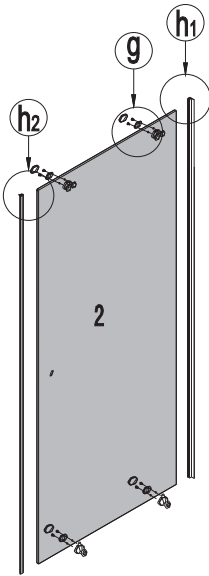
7.



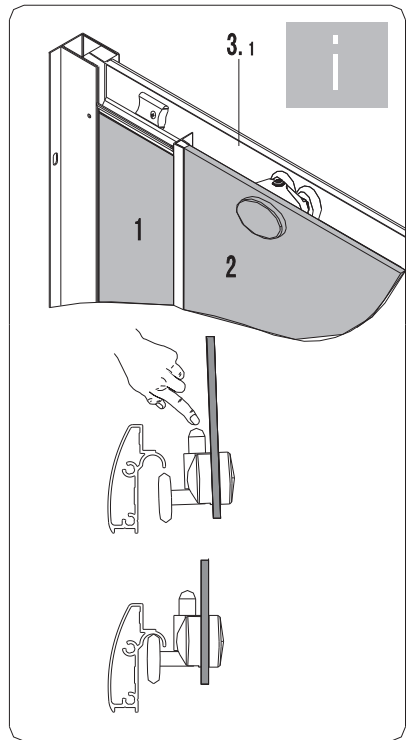
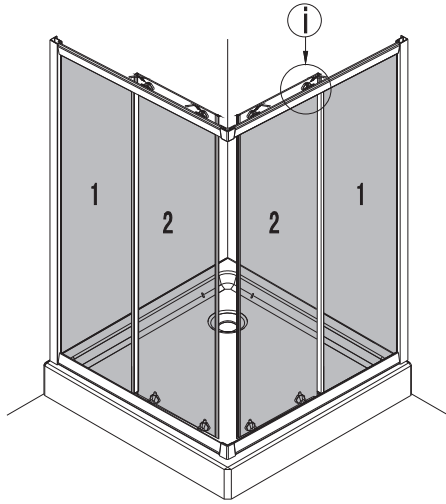
8.



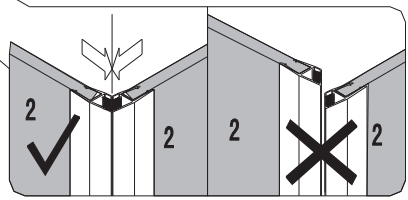
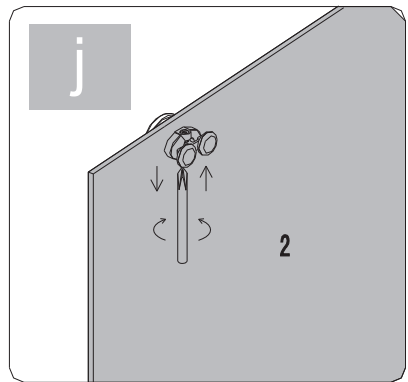
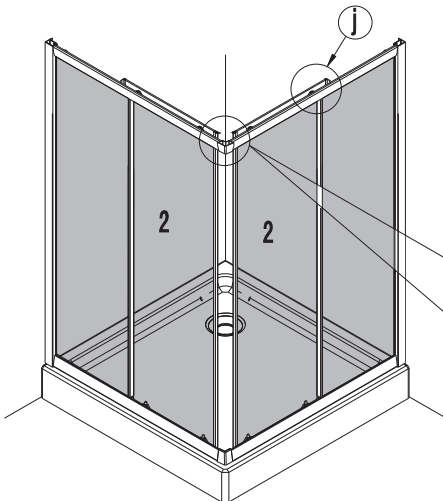
9.



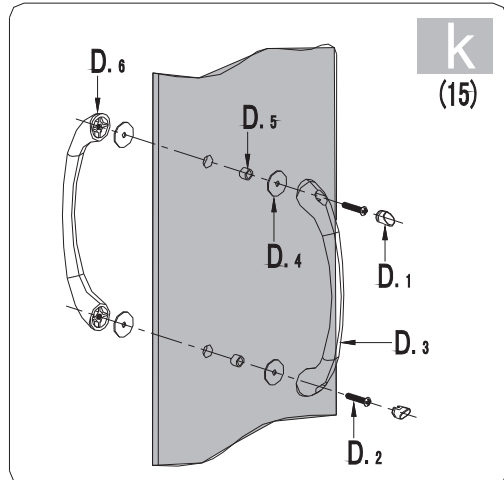
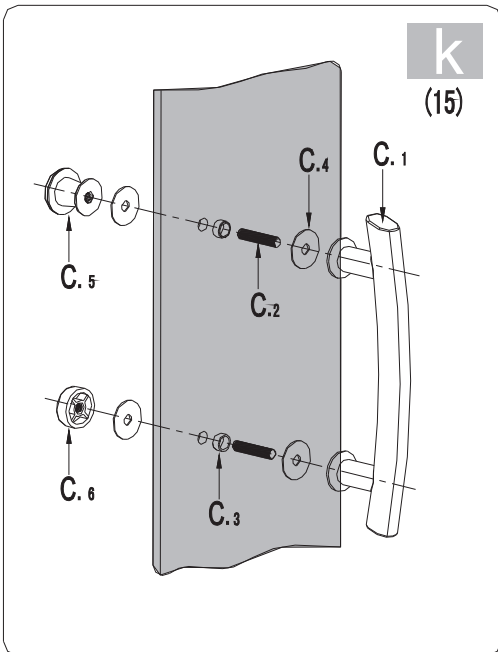
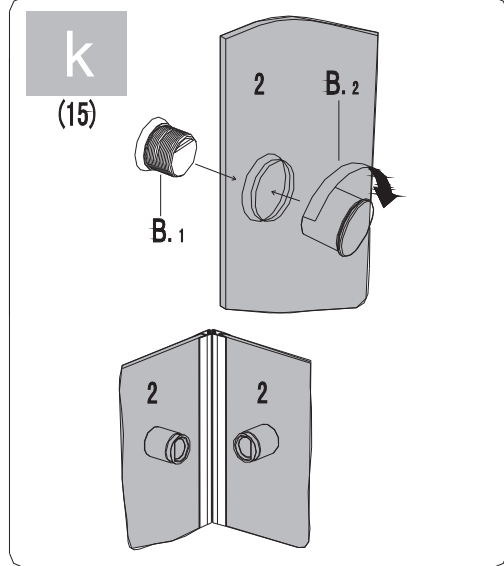
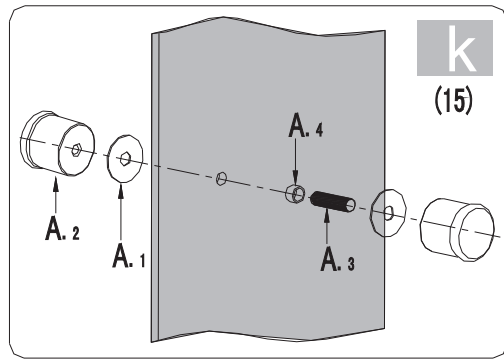
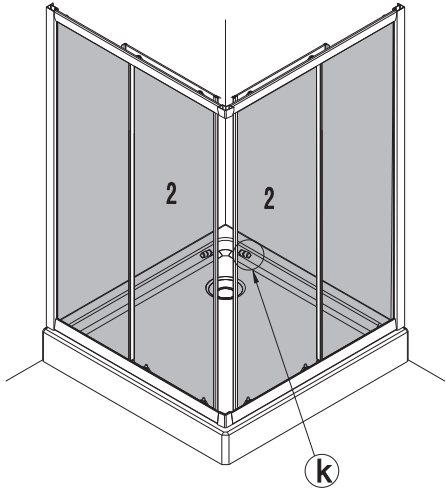
10.



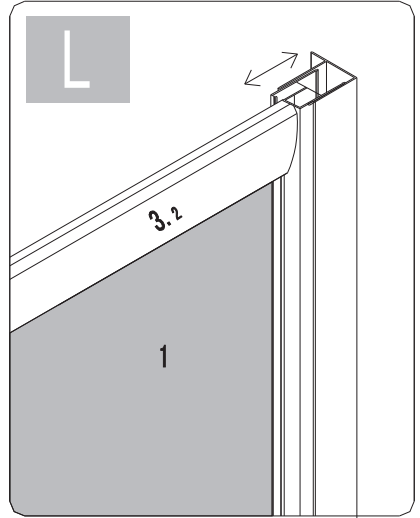
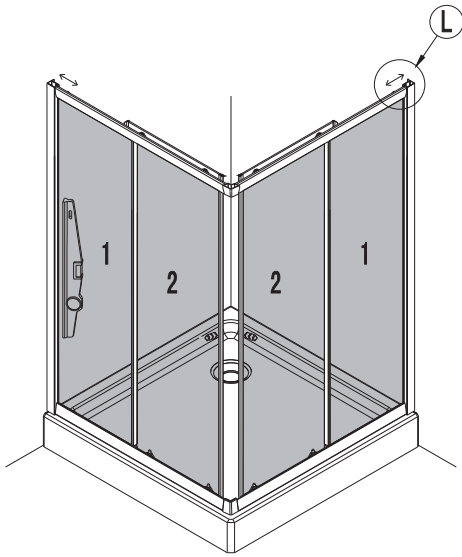
11.



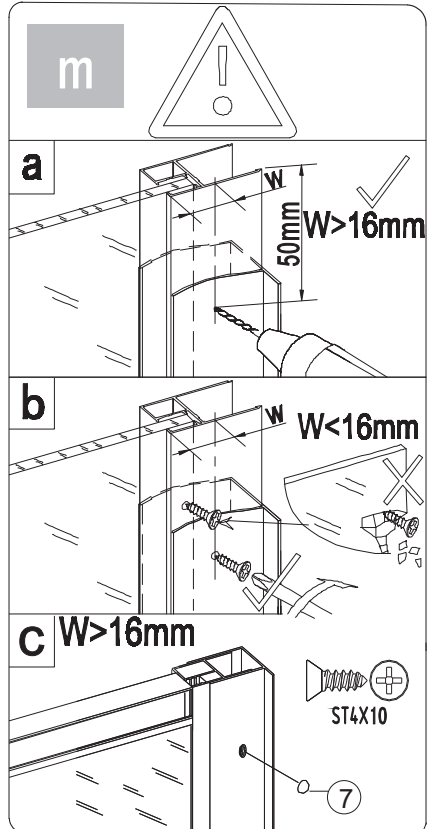
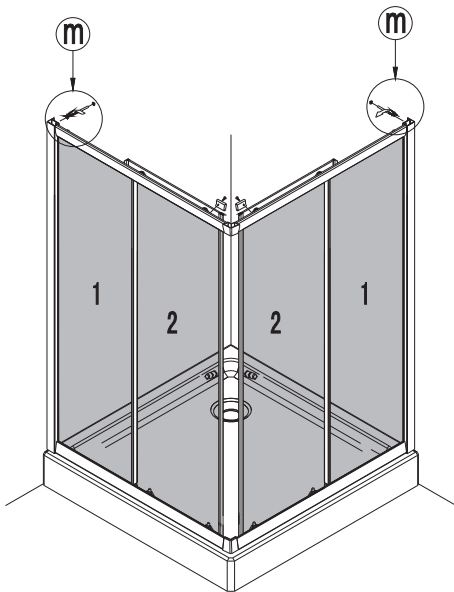
12.



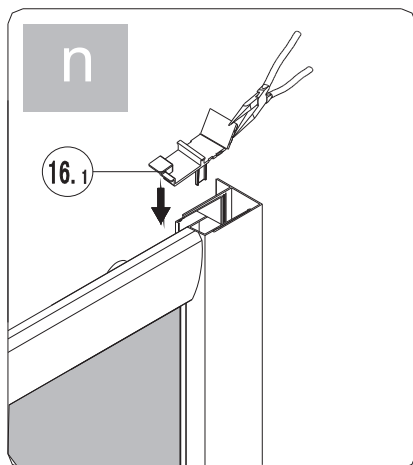
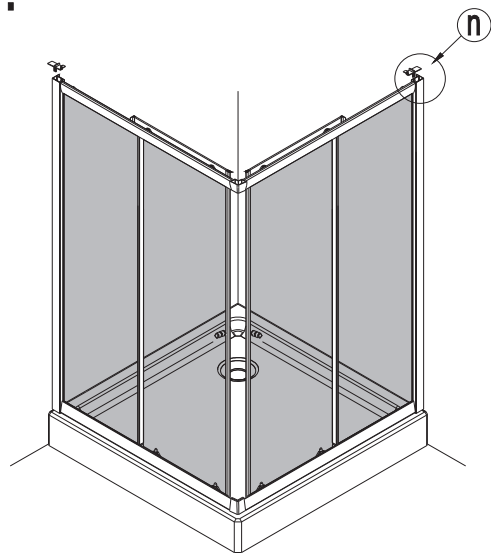
13.



14.



15.



16.

24h 

