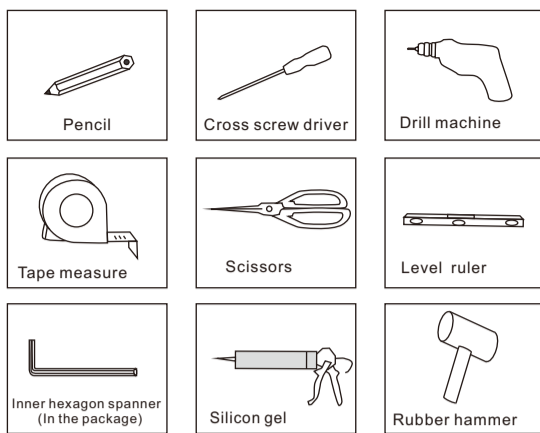
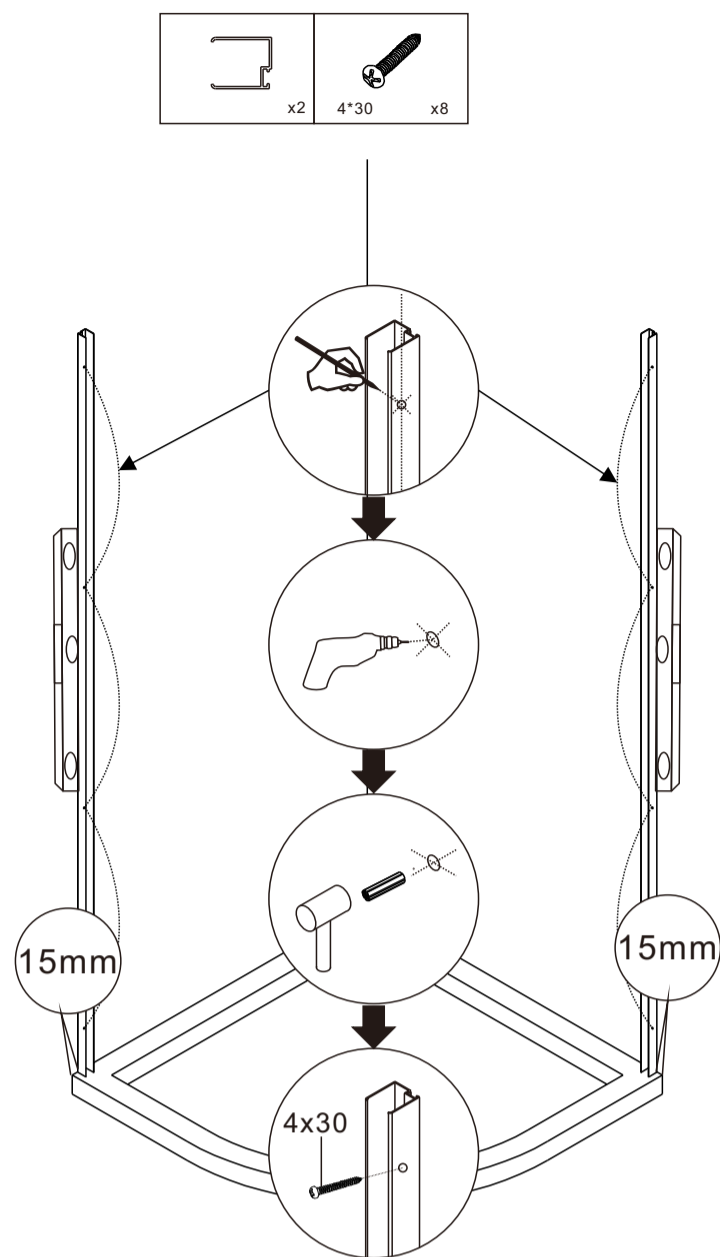
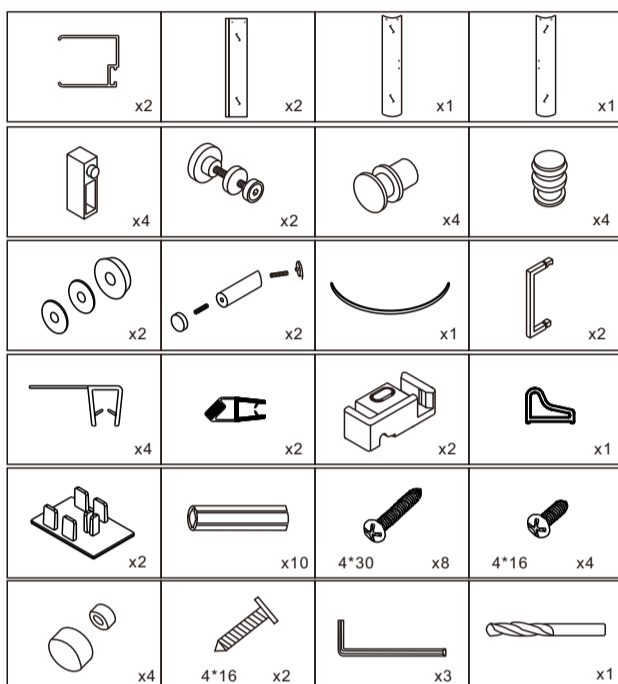


INSTALLATION MANUAL

TOOL PICTURE

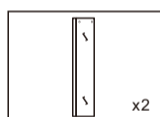


Accessory list

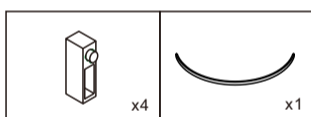


ATL-805

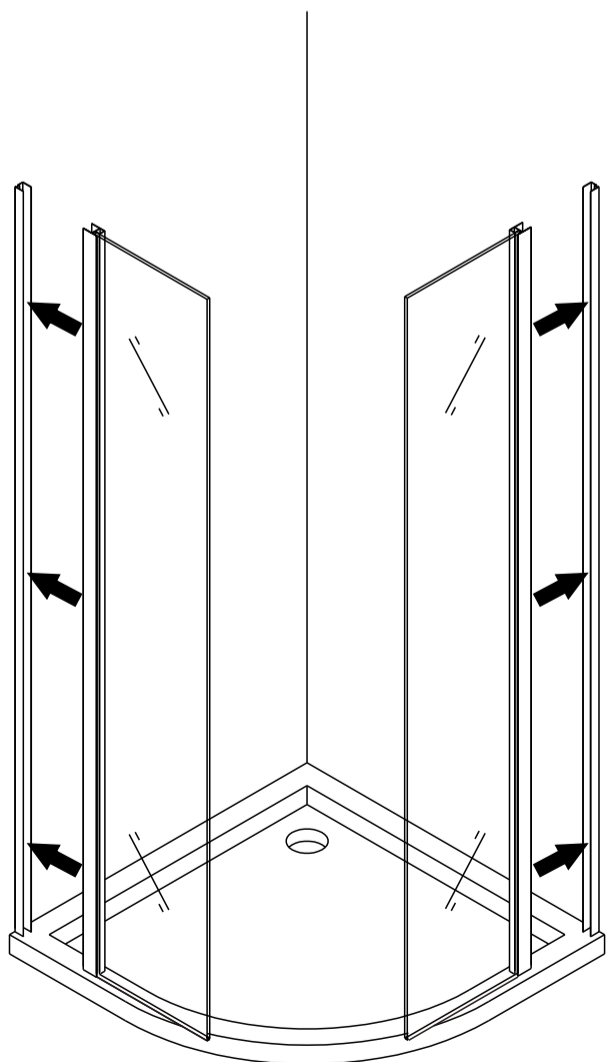
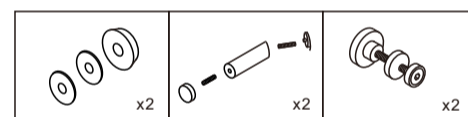
1



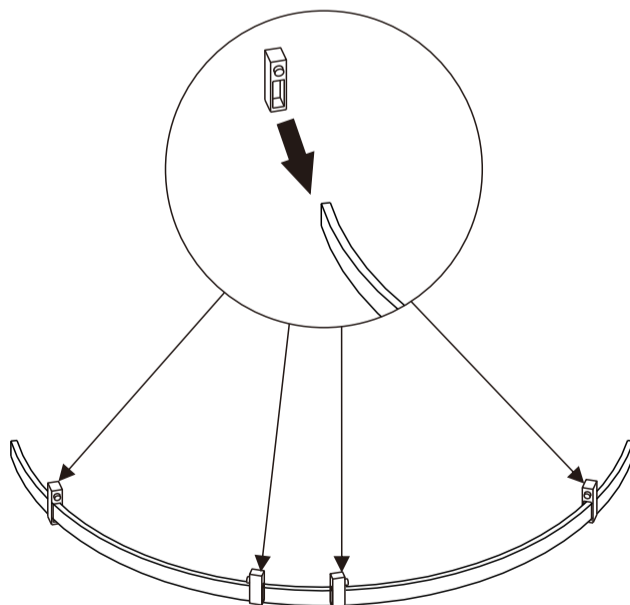
2



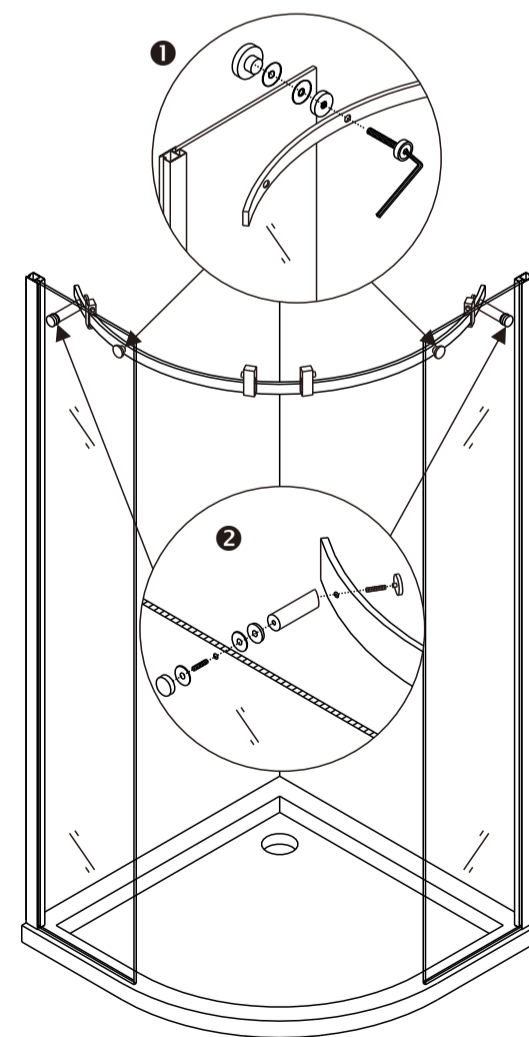
3



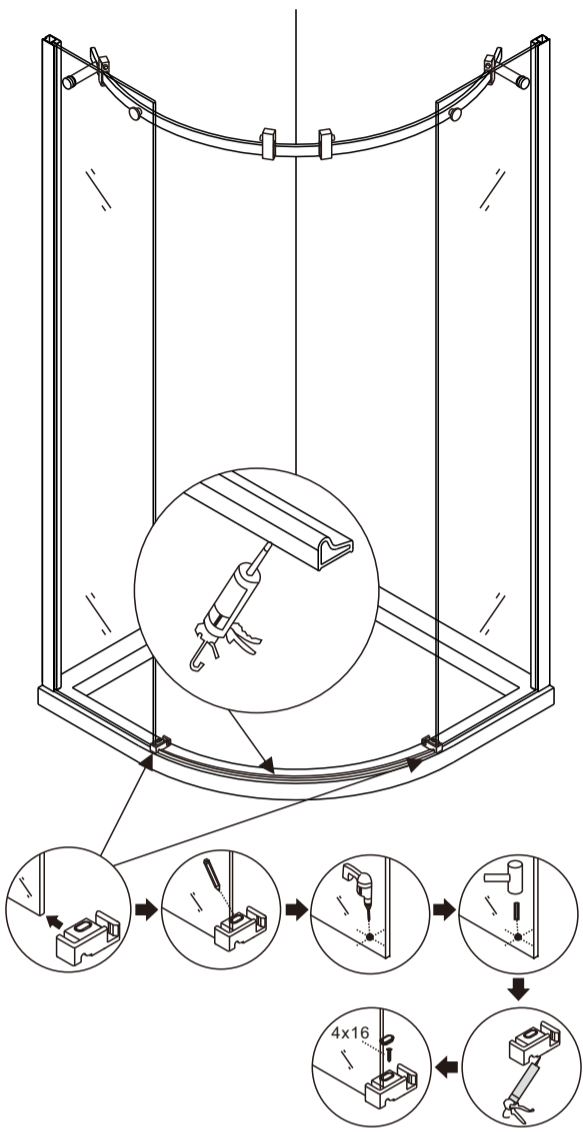
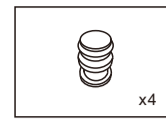
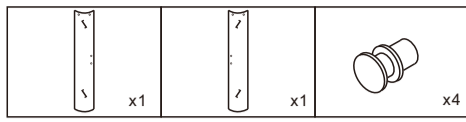
4



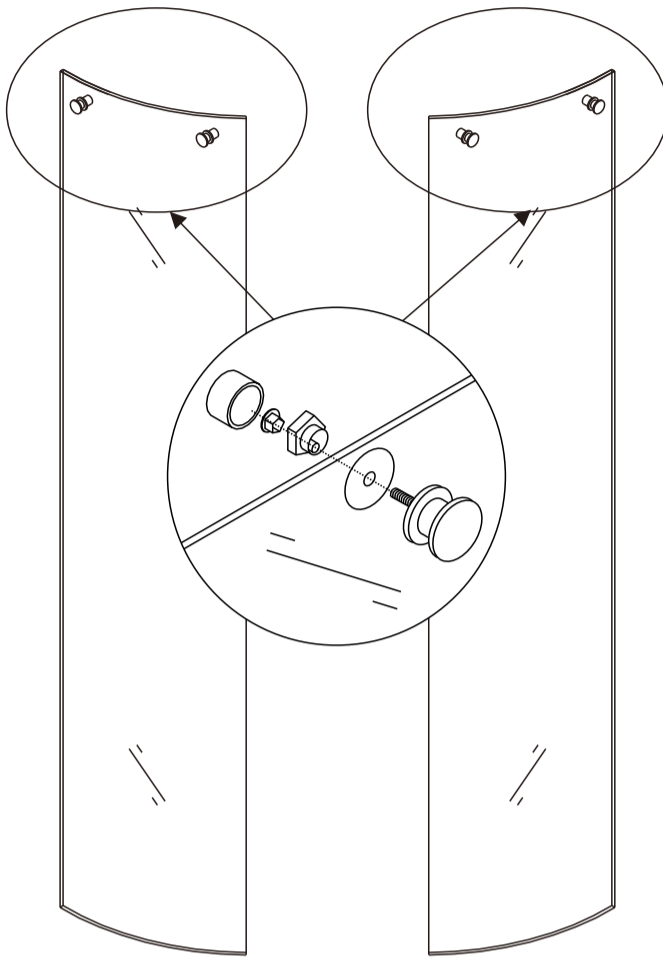
5



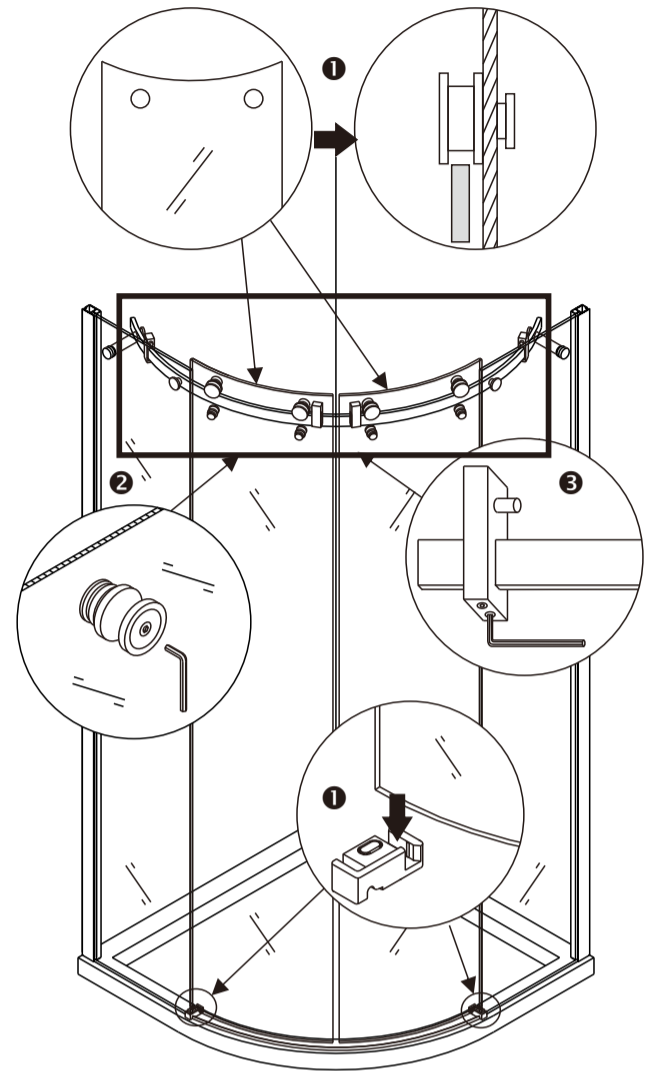
6



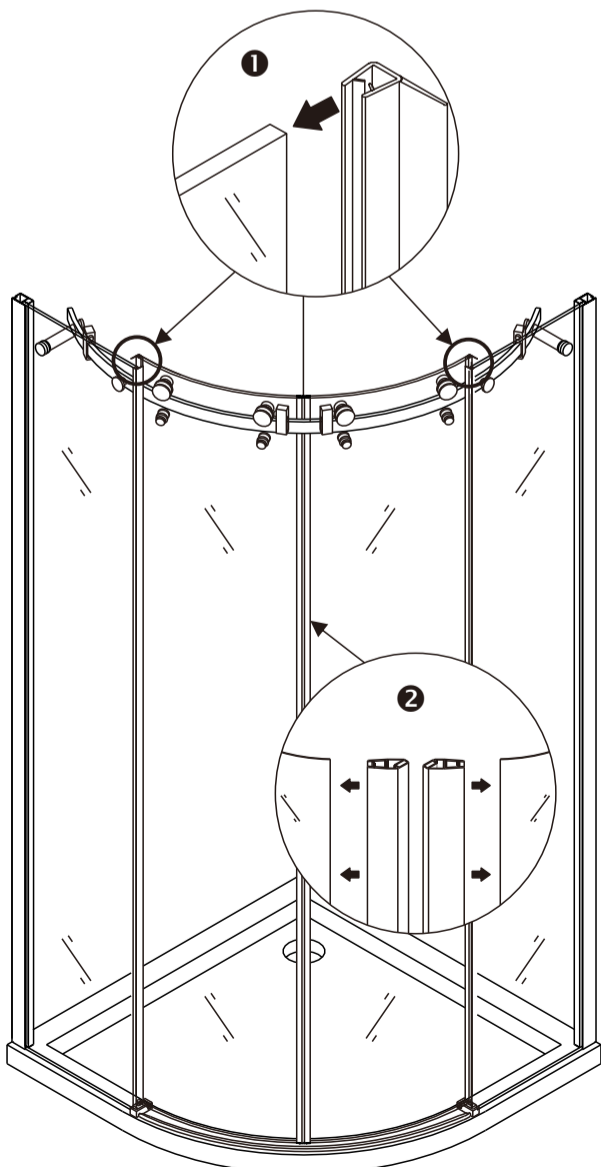
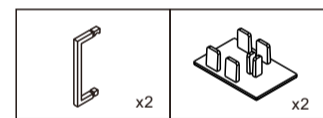
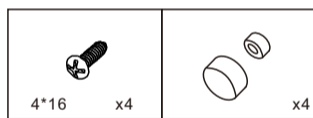
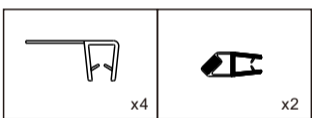
7



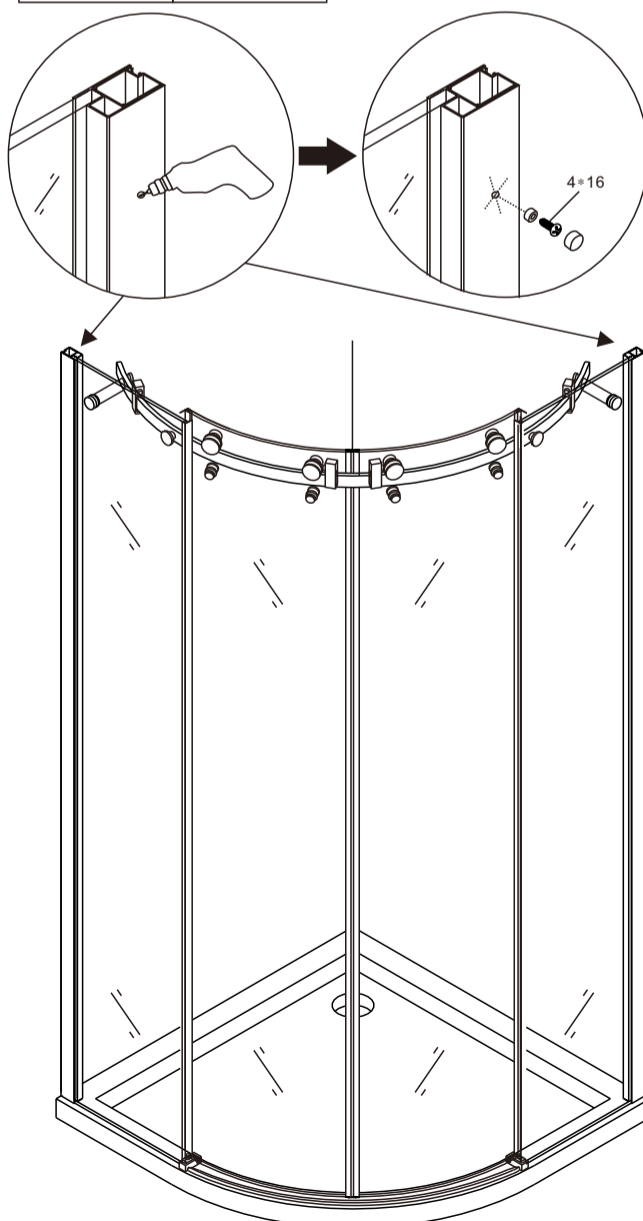
8



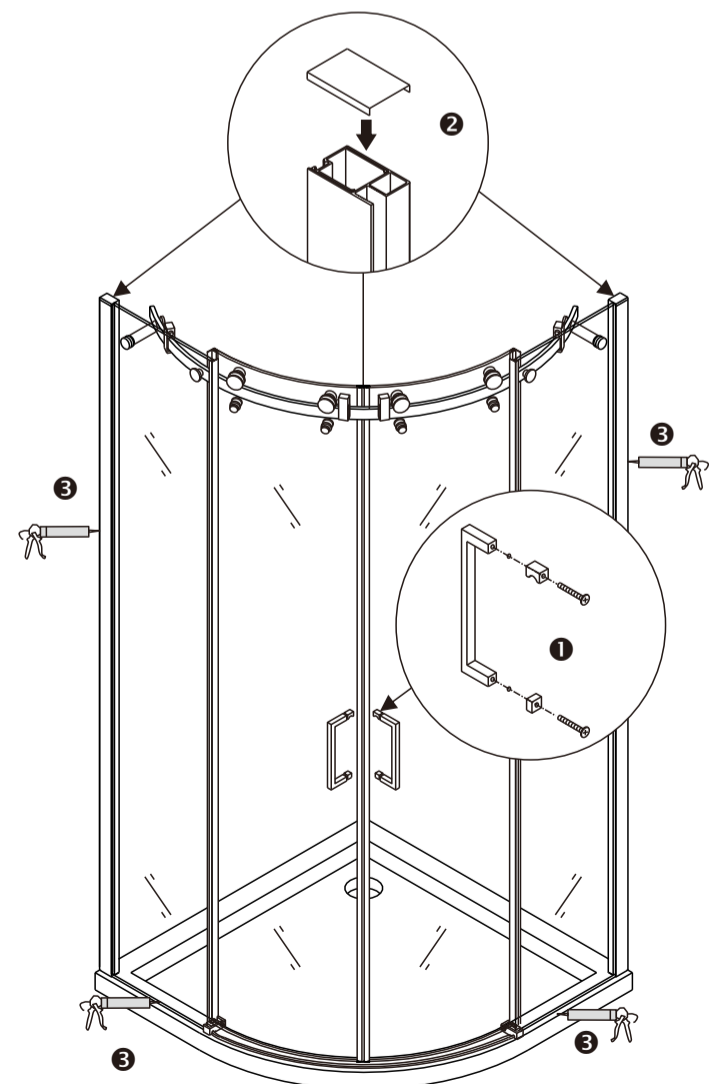
9



10



11



12