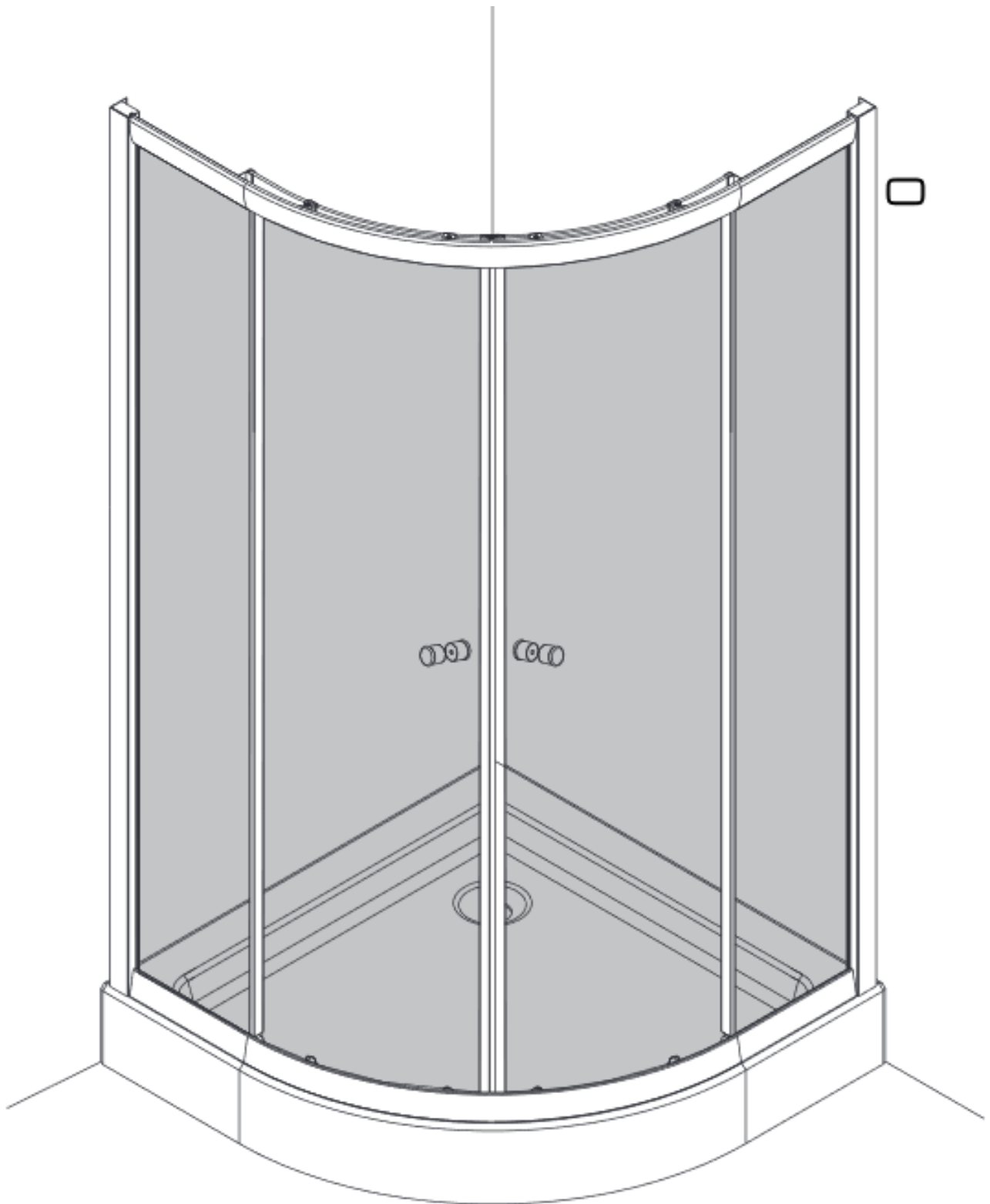
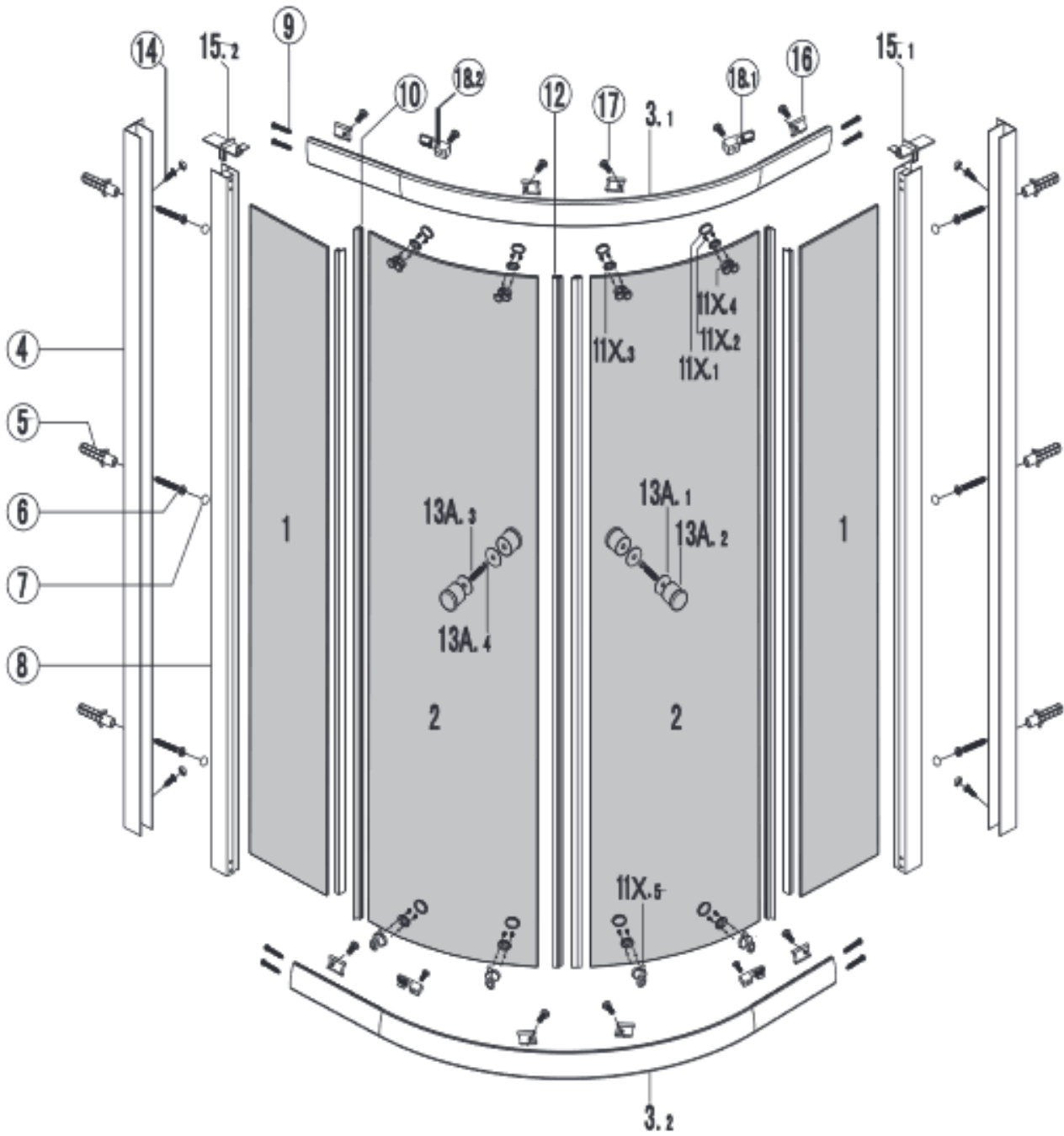
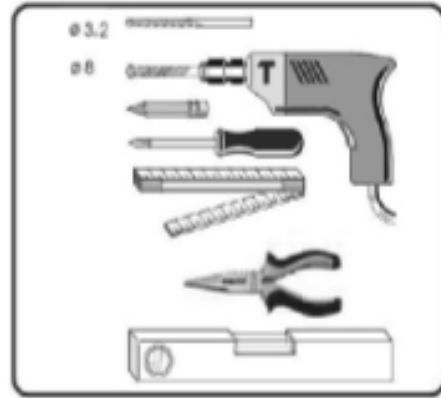
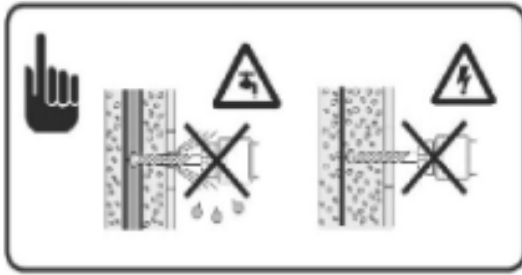




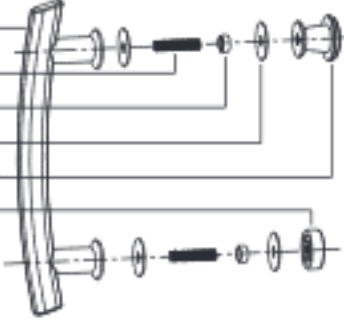
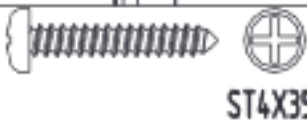
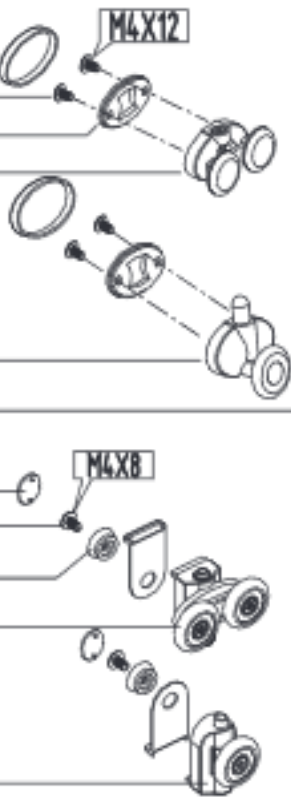










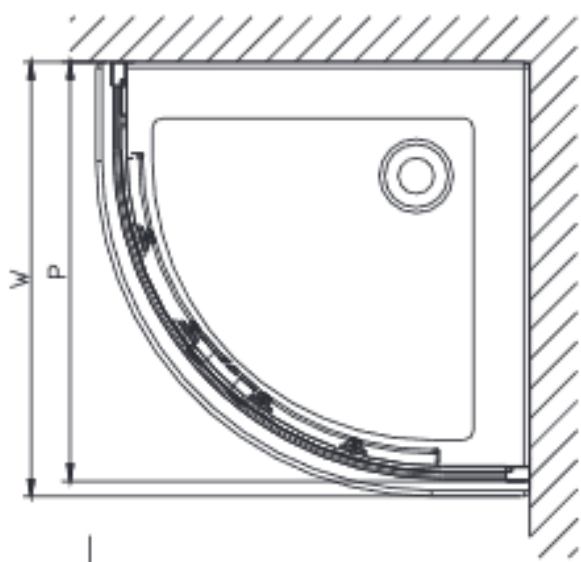
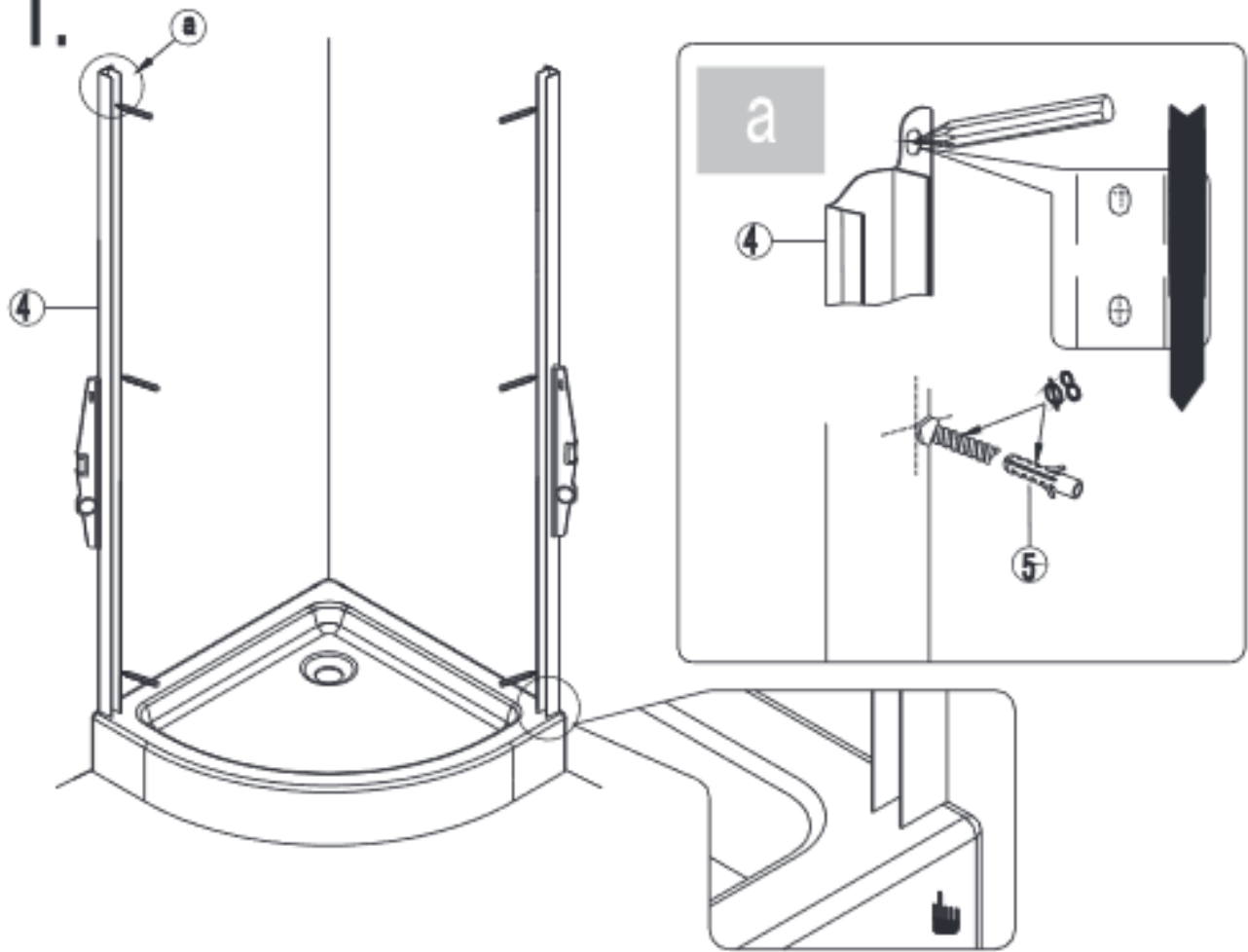
Sanovo VINTAGE štvrtkruhový sprchový kút





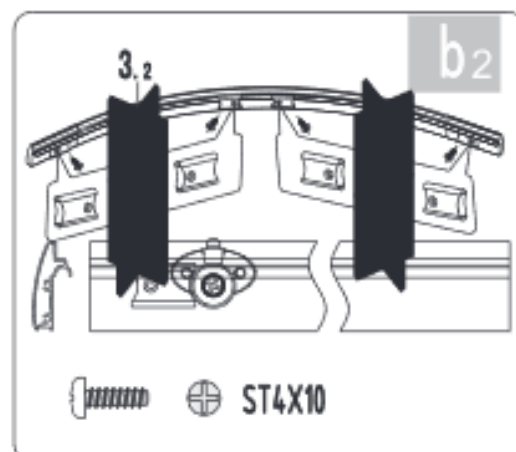
NO.	Designation	Pieces	NO.	Designation	Pieces	
3.1		X1	12		X2	
1		X2	13	A.1	X4	
2		X2		A.2	X4	
3.2		X1		A.3	X2	
	A.4			X2		
4	X2	B.1		X2		
5	 $\varnothing 8$	X7		B.2	X2	
6	 $\varnothing 4$ ST4X35	X7	C.1		X2 X4 X4 X8 X2 X2	
7	X11	C.2				
8	X2	C.3				
9	 $\varnothing 4$ ST4X35	X9				C.4
10	X4	C.5				
11		X8				D.1
		X16	D.2			
		X8	D.3			
		X4	D.4			
		X4	D.5			
X4	D.6					
			No hand			
			14	 $\varnothing 4$ ST4X10	X5	
			15.1		X1	
			15.2		X1	
			16		X8	
			17	 $\varnothing 4$ ST4X10	X13	
			18.1		X2	
			18.2		X2	
				 $\varnothing 8$ $\varnothing 3.2$		

1.

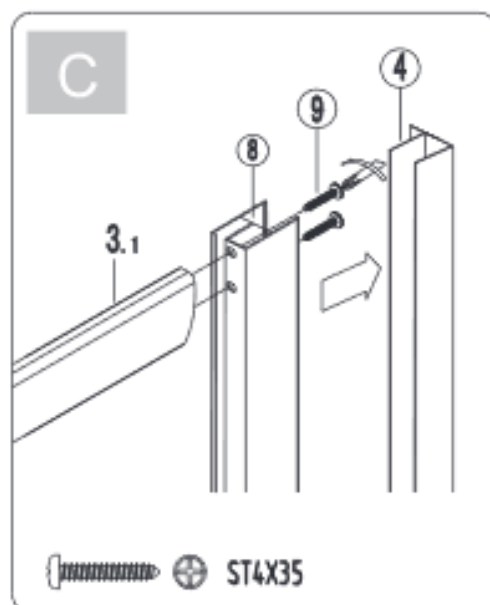
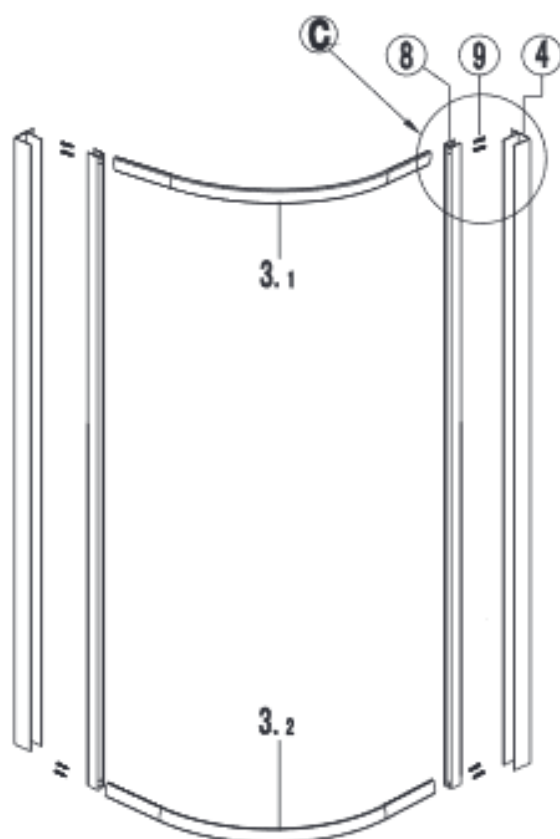


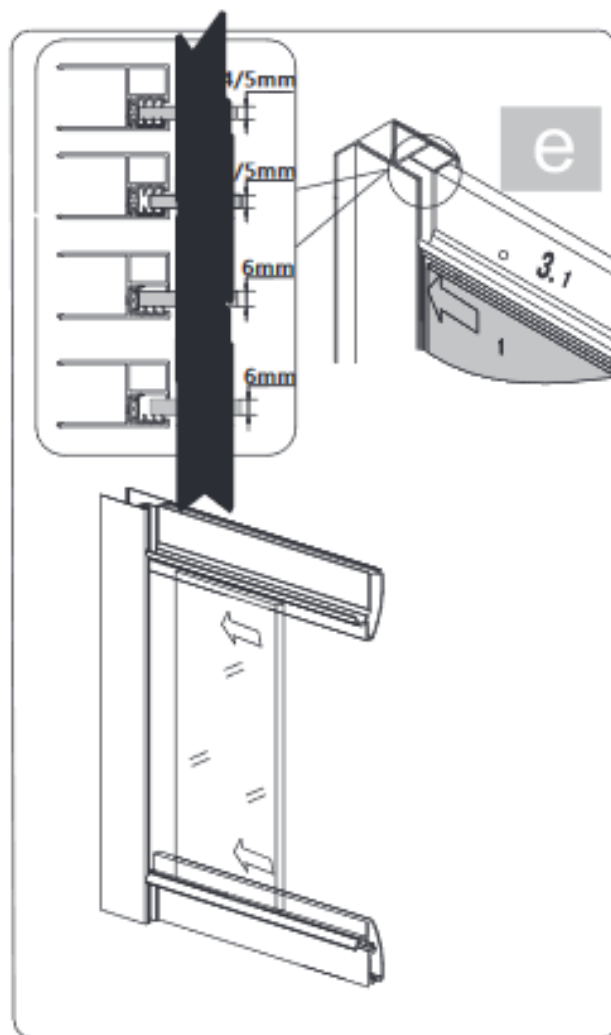
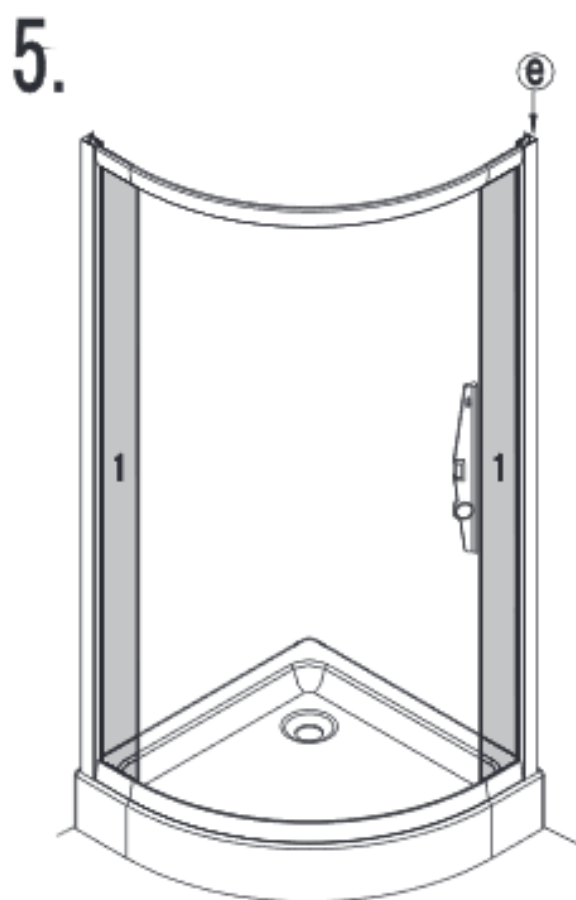
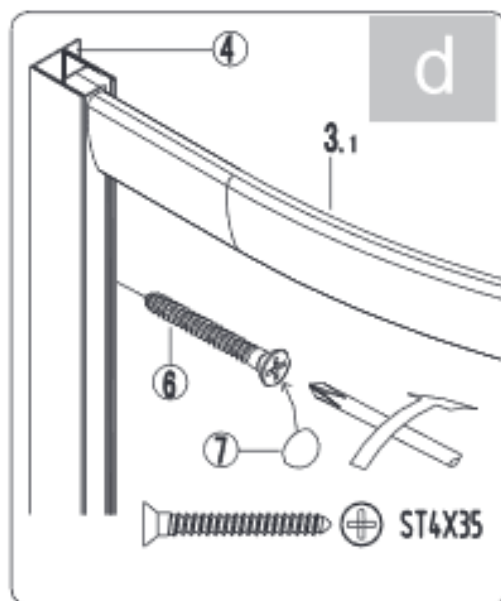
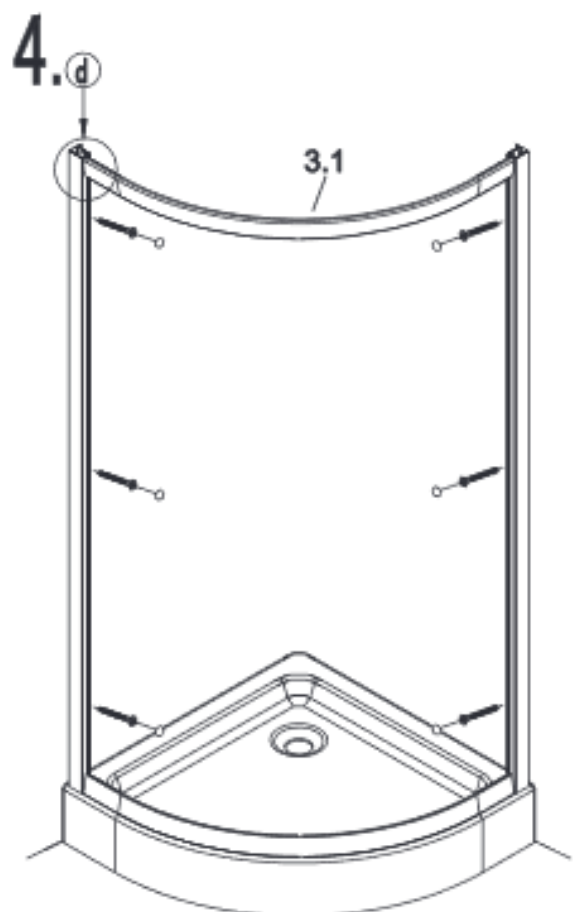
	P	W
765	765-790	800
865	865-890	900

2.

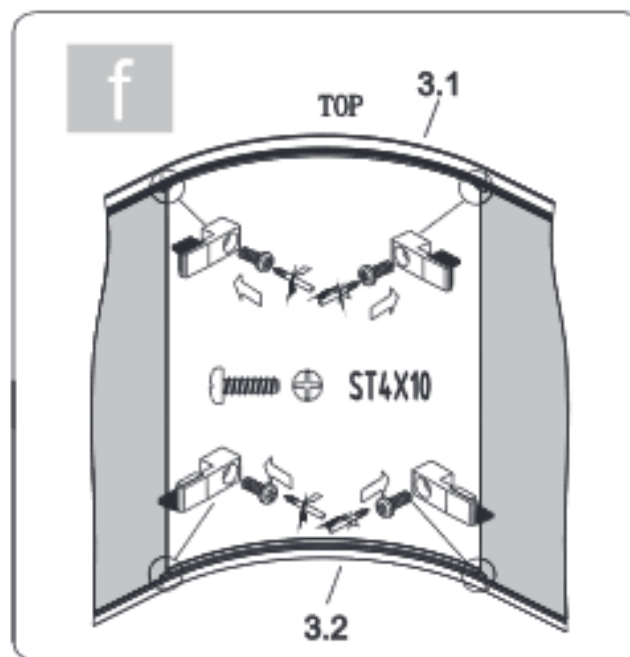
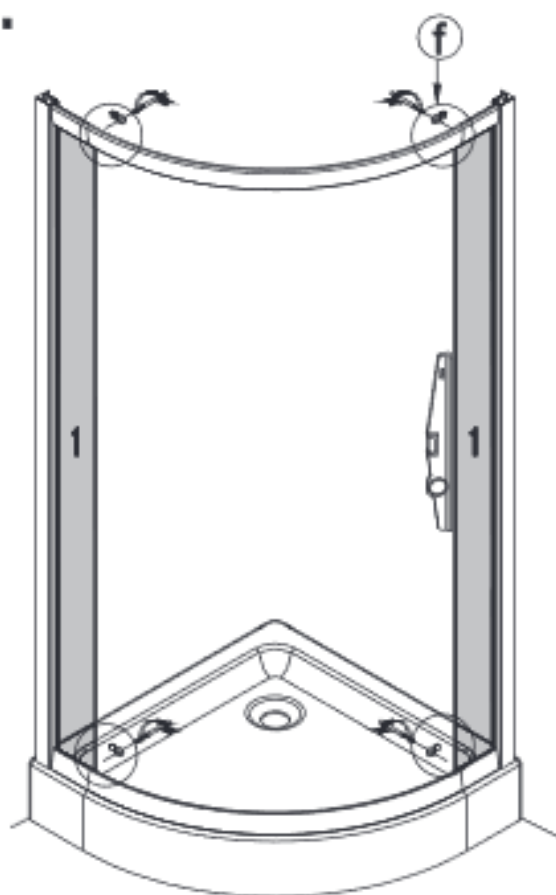


3.

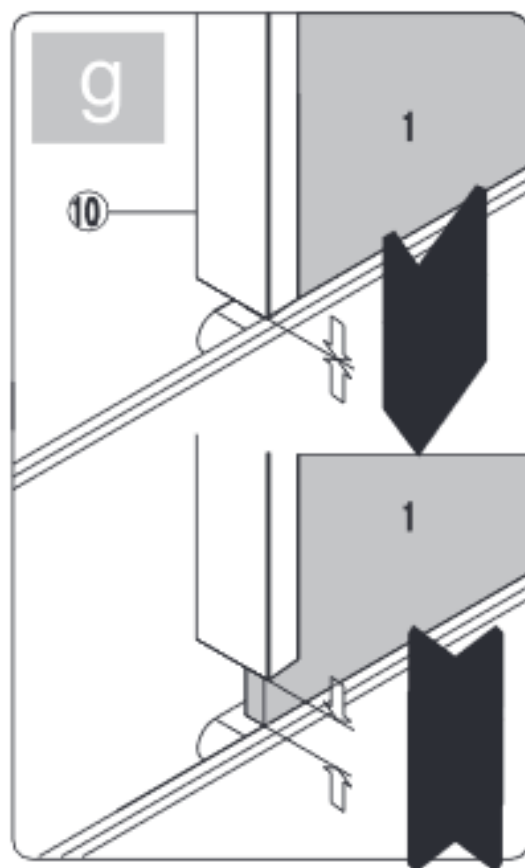
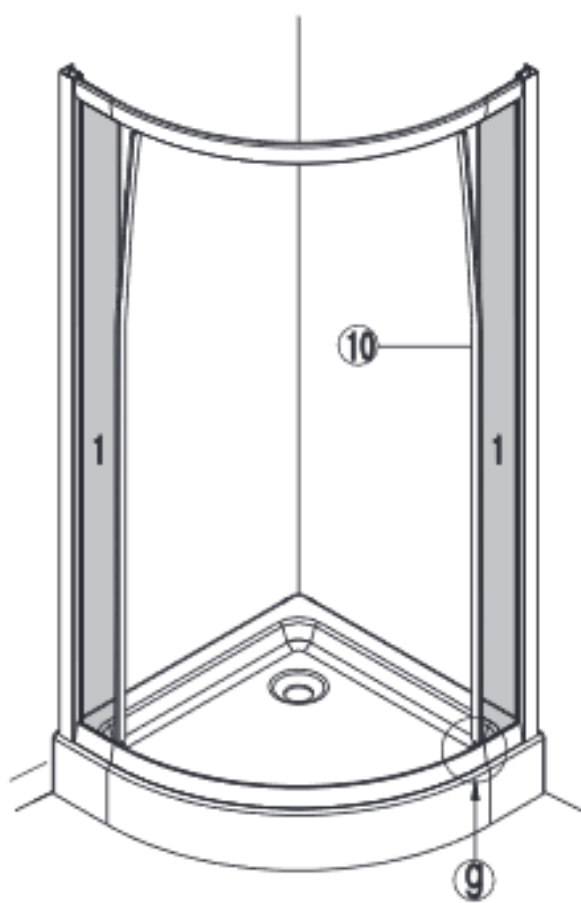




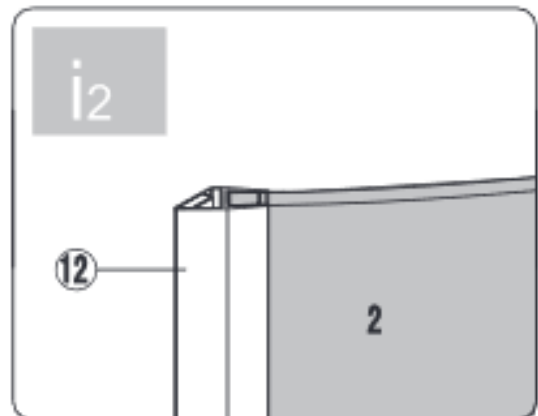
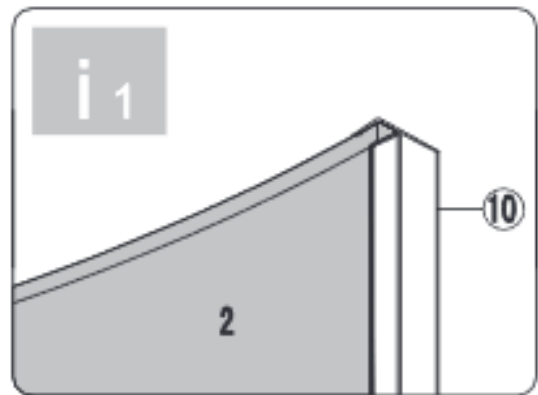
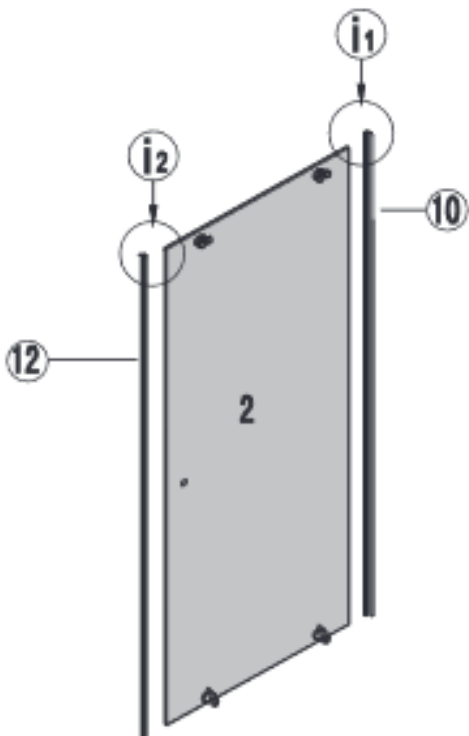
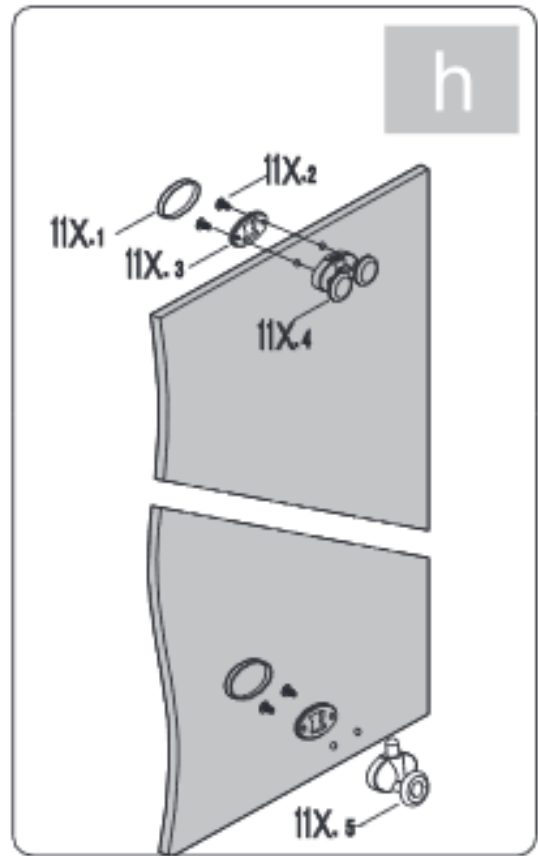
6.



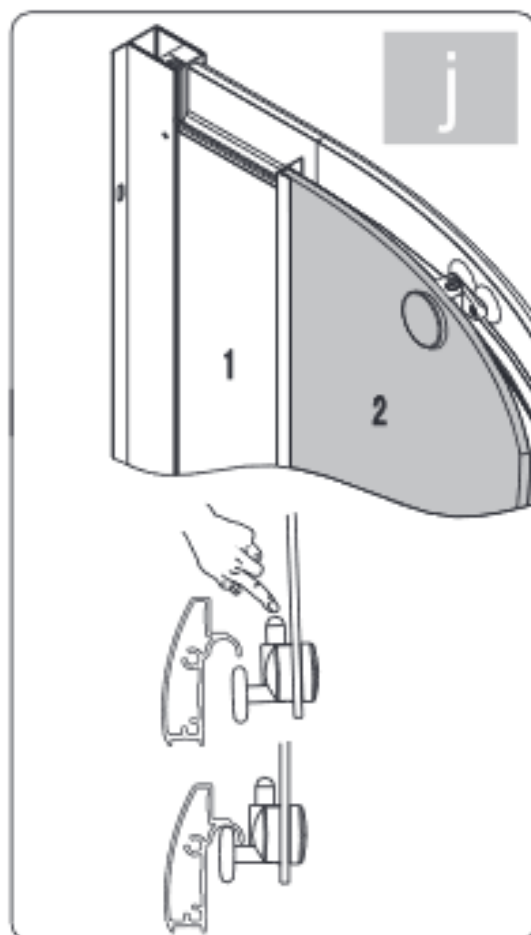
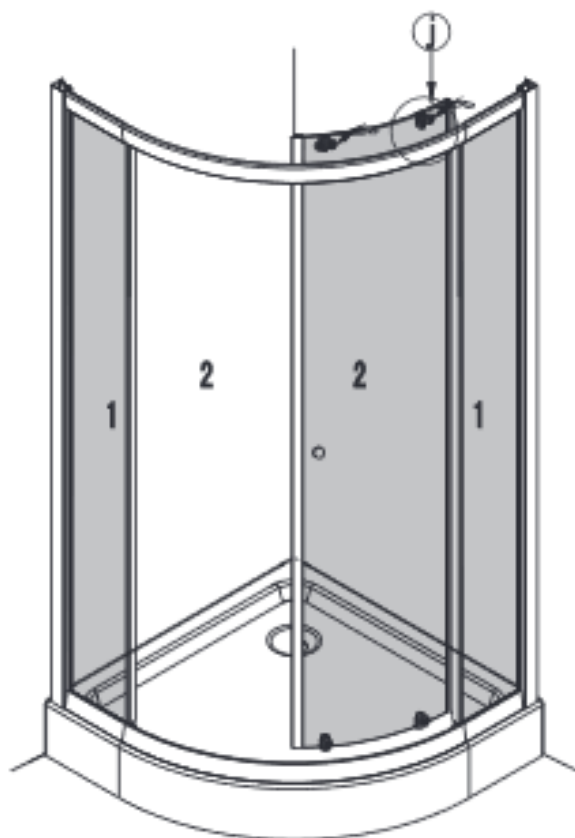
7.



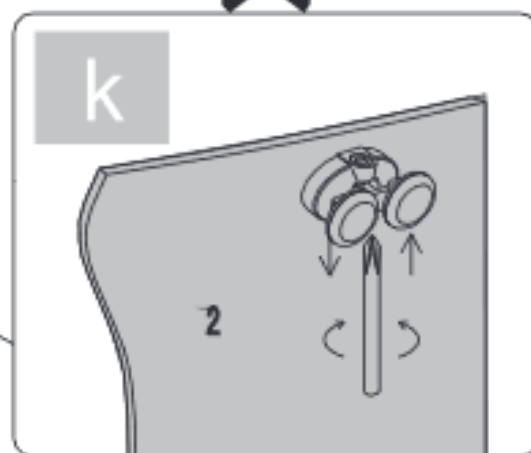
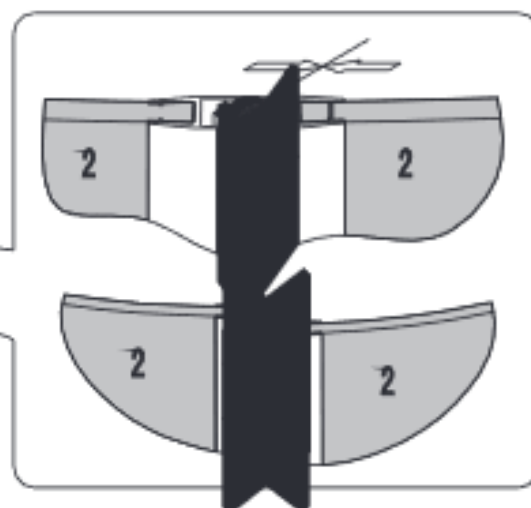
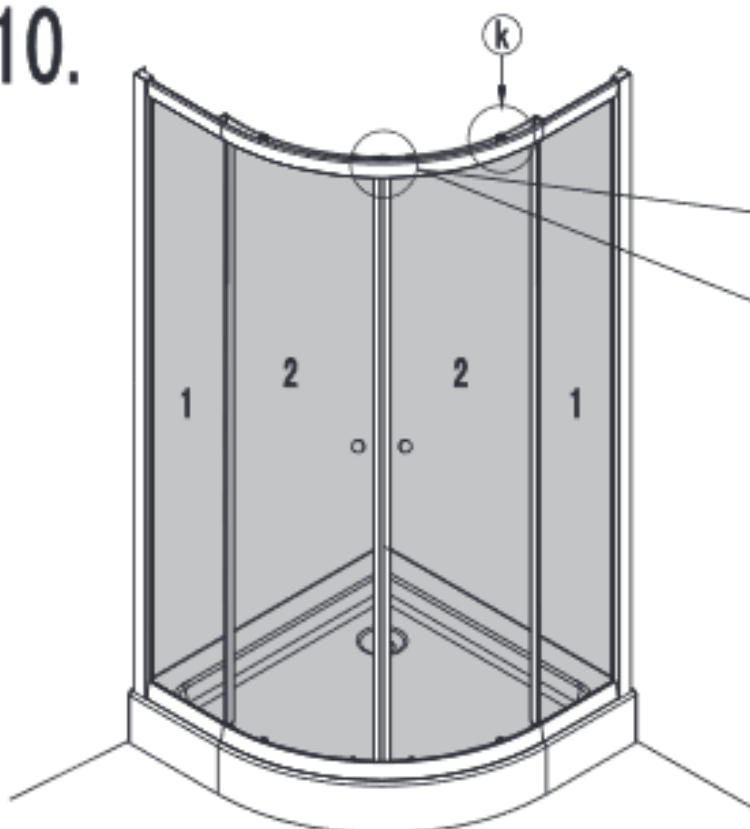
8.



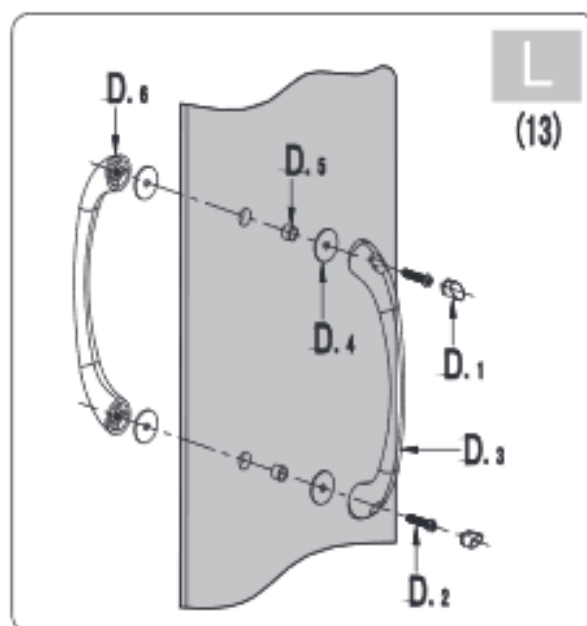
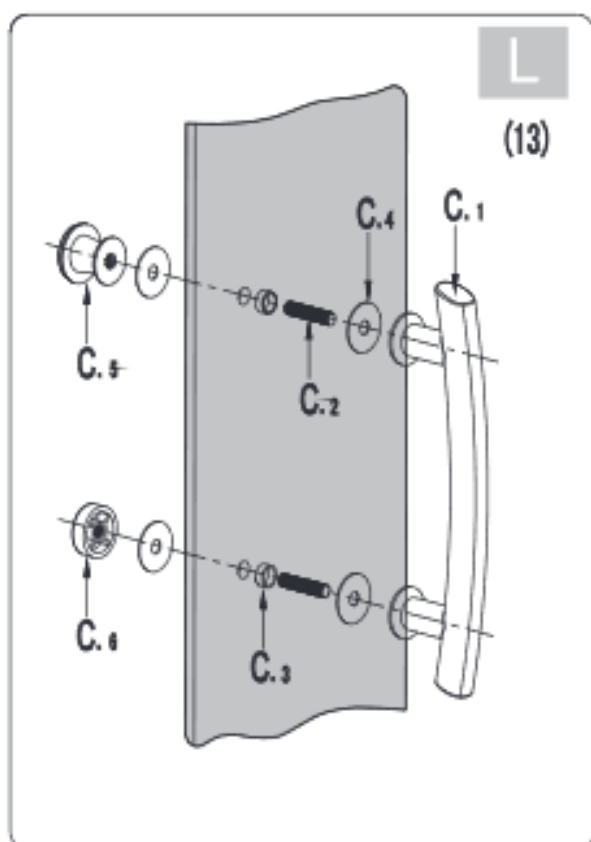
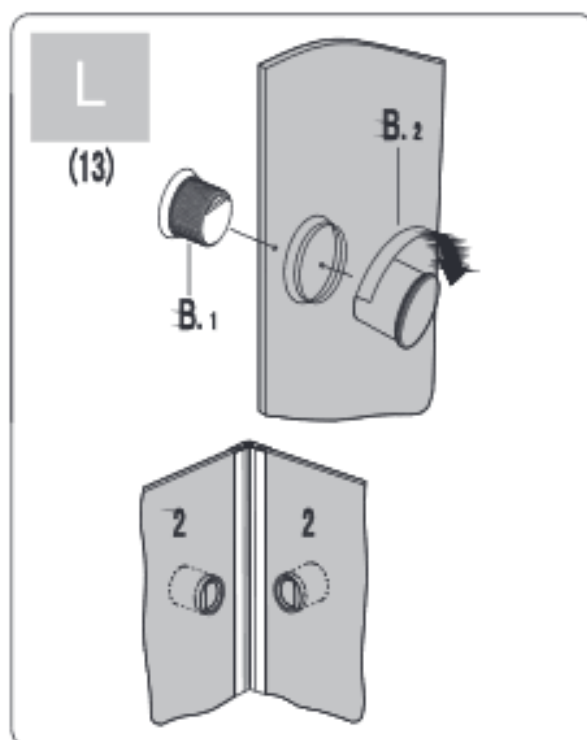
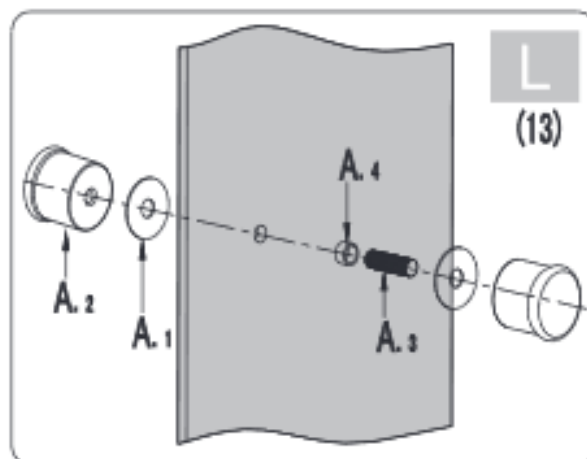
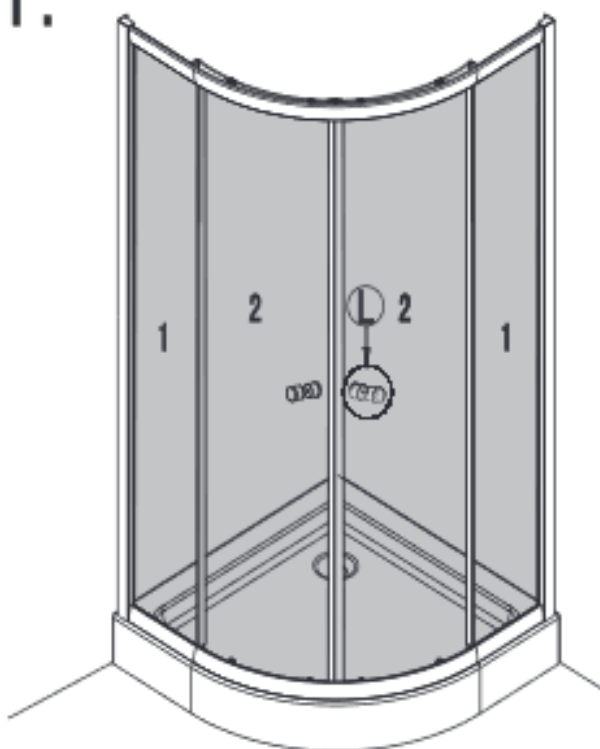
9.



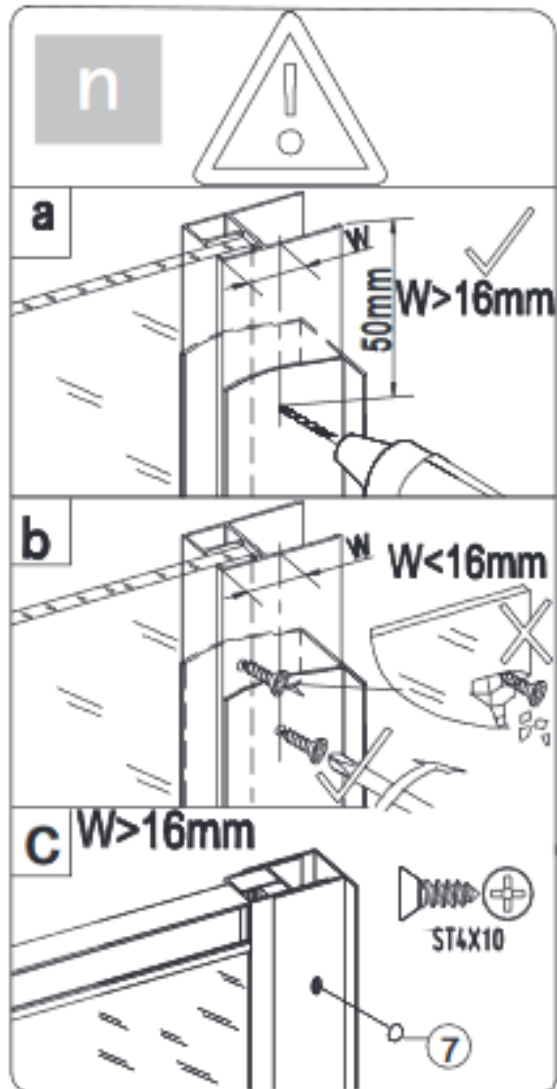
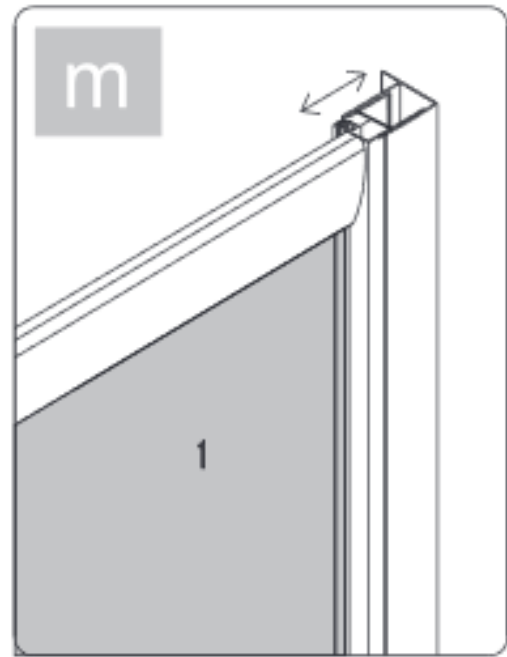
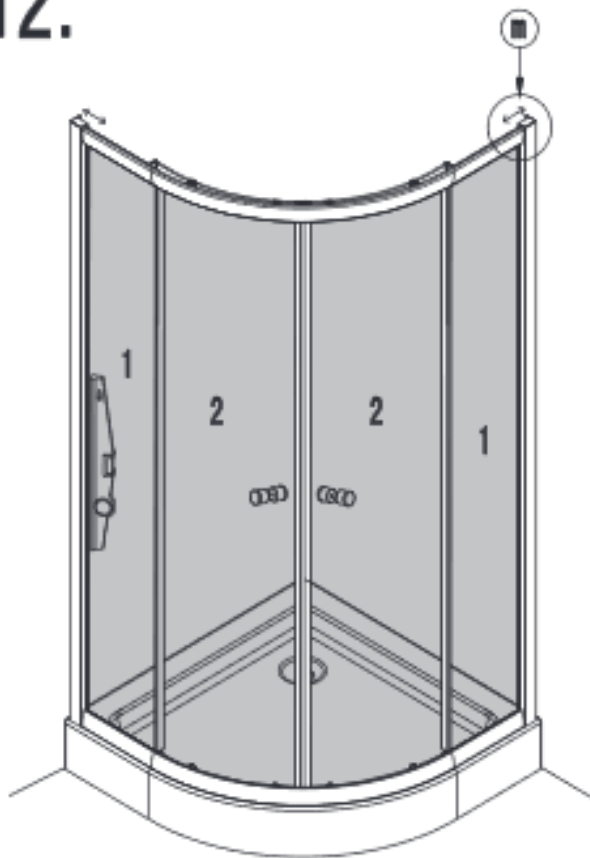
10.



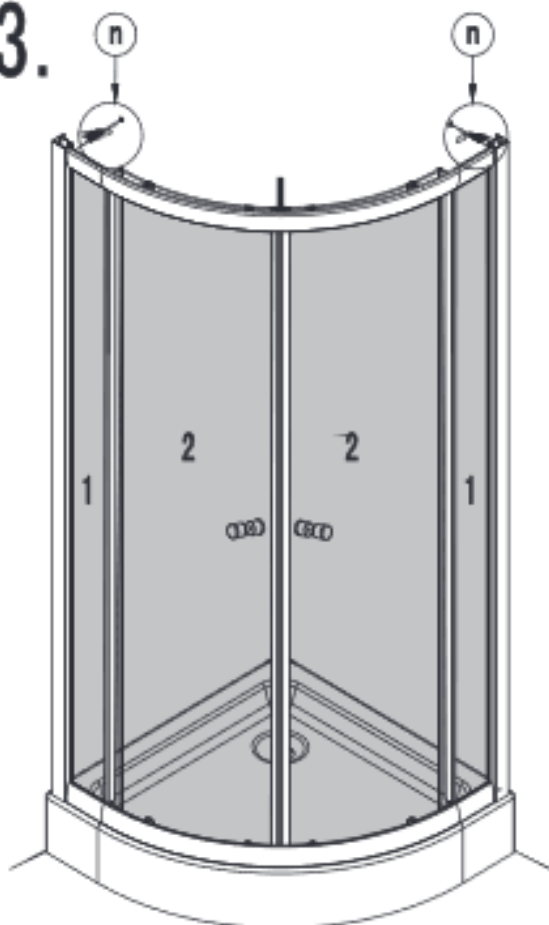
11.



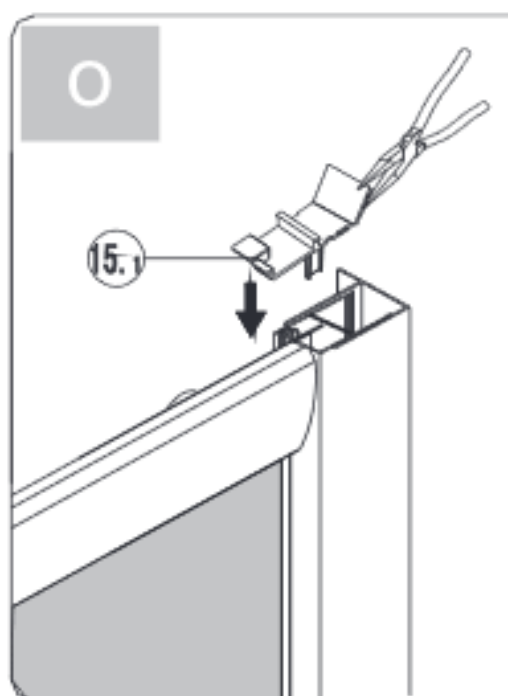
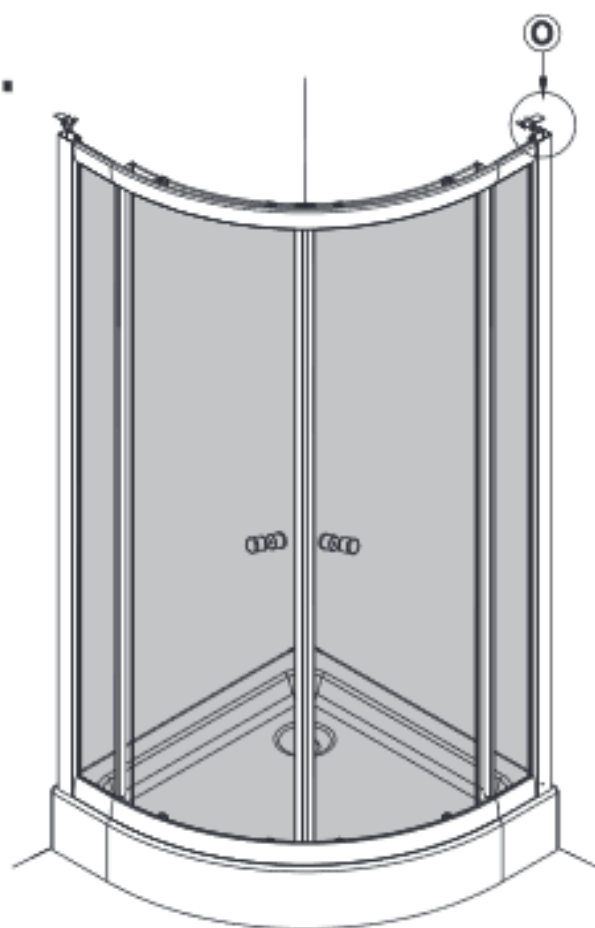
12.



13.



14.



15.

